

Masport®

EUROPEAN ROTARY MOWERS

SERIES 18 - OPC

| | | | |
|---------|------------------------------|------------------------|-----------------------------------|
| MASPORT | <u>Part number</u> 979893 | <u>Model</u> 200 ST | <u>Engine</u> B & S Series 450 |
|---------|------------------------------|------------------------|-----------------------------------|

Month and Year of First Manufacture - January 2008
SERIAL NUMBER STARTING FROM - 7401786

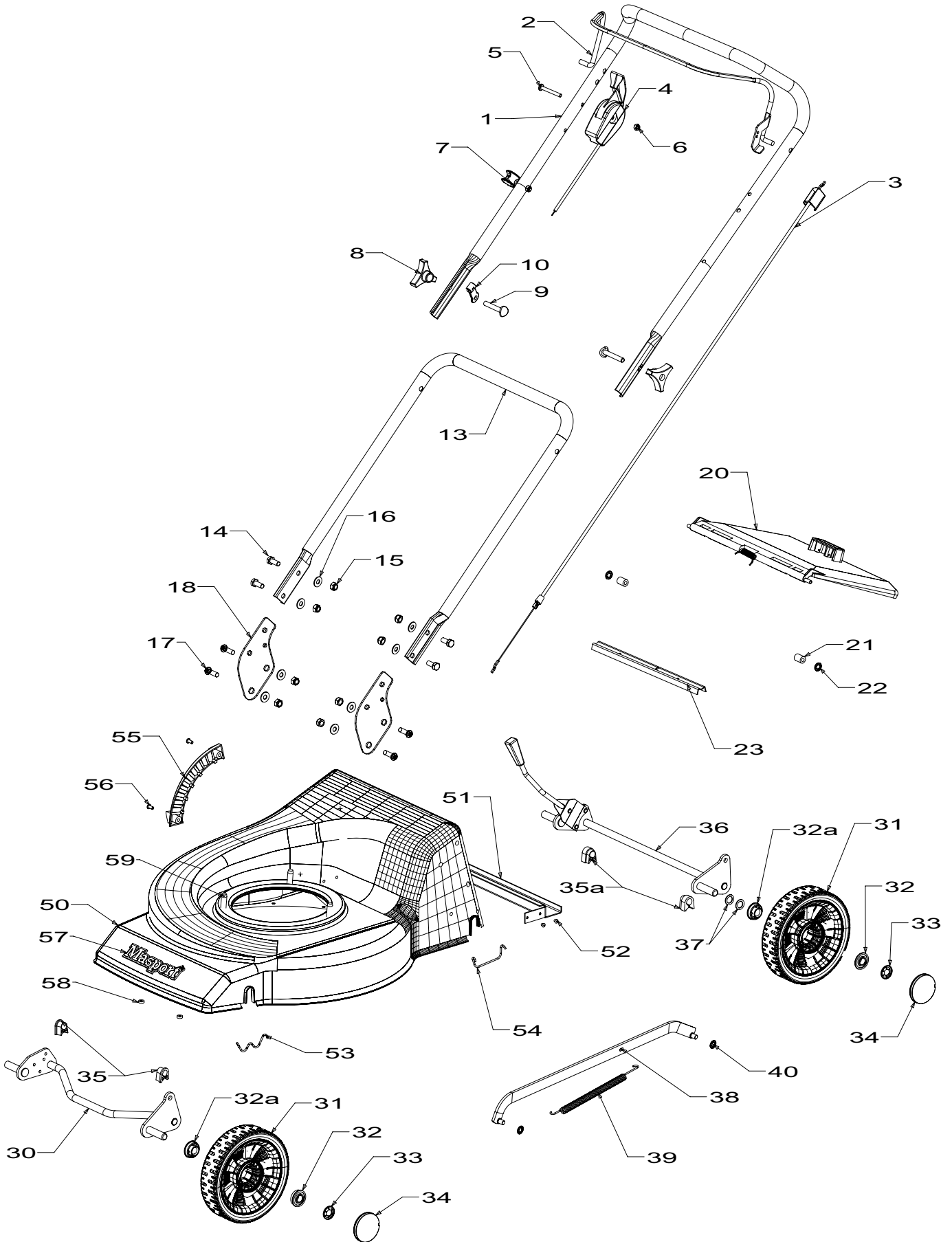




Powered by:
200 ST : Briggs & Stratton Series 450

Masport

Issue C.1
October 2012
REF # 779893/S



When ordering PLEASE QUOTE PART NUMBER & Description, NOT Illustration No.
Determine right or left hand side from standing in operating position (standing at handle)



Powered by:
200 ST : Briggs & Stratton Series 450

Masport

Issue C.1
October 2012
REF # 779893/S

| Item No | Part No | Description | Qty | Item No | Part No | Description | Qty |
|---------|---------|----------------------------------|-----|---------|---------|---------------------------------------|-----|
| 1 | 971022 | Handle Assy- Upper, Upt, OPC | 1 | 50 | 781468 | Housing Assy- Stl 18" ODS Ttnm | 1 |
| 2 | 981740 | Bail Arm Assy, OPC Flatnd | 1 | | | incl items 51 - 52 | |
| 3 | 581656 | Cable- Engine, OPC Push | 1 | 51 | 583267 | *Brace- Rear | 1 |
| 4 | 583458 | Control-Throttle Assy, Wescon | 1 | 52 | 581369 | *Rivet- Pop 4.0x3.2 S/S | 4 |
| 5 | 503604 | Screw, Pan M6 x 45 | 1 | 53 | 529674 | Retainer-Axle W, Front | 2 |
| 6 | 501764 | Nut, Nyloc M6 | 1 | 54 | 579292 | Retainer-Axle, Rear | 2 |
| 7 | 703856 | Comfort Start Kit | 1 | 55 | 580025 | Quadrant- Height Selector | 1 |
| 8 | 574230 | Knob- Plastic, M8 Insert | 2 | 56 | 503660 | Rivet- Pop 4.8x9.0 | 2 |
| 9 | 574218 | Bolt, SPH M8x53x35 | 2 | 57 | 581240 | Nameplate- Masport | 1 |
| 10 | 581527 | Retainer- Clutch Cable | 1 | 58 | 503150 | Clip- Starlock, 5Dia | 2 |
| | | __==__ | | 59 | 580453 | Screw, S/T 3/ 8" x 1 1/8" | 3 |
| 13 | 971017 | Handle-Lower, "U", OPP Long | 2 | | | __==__ | |
| 14 | 501597 | Screw, Set M8x20 Hex | 4 | | | NOT ILLUSTRATED | |
| 15 | 501793 | Nut, Nyloc M8 | 8 | | | | |
| 16 | 501606 | Washer, Flat 8x19x1.6 | 8 | | | | |
| 17 | 503643 | Screw, Set M8x25 BTN/HD | 4 | 503054 | | Tie- Nylon, Cable | 4 |
| 18 | 579689 | Bracket- Flap, OPP | 2 | 580778 | | Stop-Rope | 1 |
| | | __==__ | | 569324 | | Owners Manual | 1 |
| 20 | 781532 | Flap Assy-Plastic | 1 | 503488 | | Clamp- Throttle Cable, B&S | 1 |
| 21 | 579733 | Spacer- Flap | 2 | 503489 | | Screw, Set M5x 16 Tap/C | 1 |
| 22 | 503574 | Clip- Starlock, 6 Dia | 2 | 573158 | | Decal, Hsg S18 200ST | 1 |
| 23 | 583151 | Dust Seal- Flap | 1 | 573159 | | Decal, noise S18 200 96BD | 1 |
| | | __==__ | | 580057 | | Instruction sheet bag catcher | 1 |
| 30 | 581269 | Axle-Front, 175mm | 1 | 580577 | | Decal, Catch Assyins thermal | 1 |
| 31 | 579495 | Wheel Assy-175mm PB Cobra | 4 | 581384 | | Decal, Throttle Euro | 1 |
| | | incl items 32, 32a | | 581413 | | Decal, Handle-Power Drive OPC | 1 |
| 32 | 551212 | *Bearing- Wheel | 4 | 582049 | | Decal, Flap Caution | 1 |
| 32a | 579694 | *Bearing- Wheel, Plastic | 4 | | | | |
| 33 | 503236 | Clip- Starlock, 1/2" | 4 | | | | |
| 34 | 579202 | Hub Cap, Button Spoked | 4 | | | | |
| 35 | 580030 | Bush-Pivot, Front Axle | 2 | | | | |
| 35a | 580668 | Bush-Pivot, Rear Axle | 2 | | | | |
| 36 | 969241 | Axle Assy- Rear, Complete | 1 | | | | |
| 37 | 503301 | Washer, Flt 1/2x3/4x18G | 2 | | | | |
| 38 | 972288 | Rod Assy-Connecting, 460 | 1 | | | | |
| 39 | 581463 | Spring-Counter Balance | 1 | | | | |
| 40 | 501365 | Clip-Starlock, 5/16" | 2 | | | | |
| | | __==__ | | | | | |

Bold Text = Assemblies
Bulleted Text = Items included in Assemblies

When ordering PLEASE QUOTE PART NUMBER & Description, NOT Illustration No.
Determine right or left hand side from standing in operating position (standing at handle)

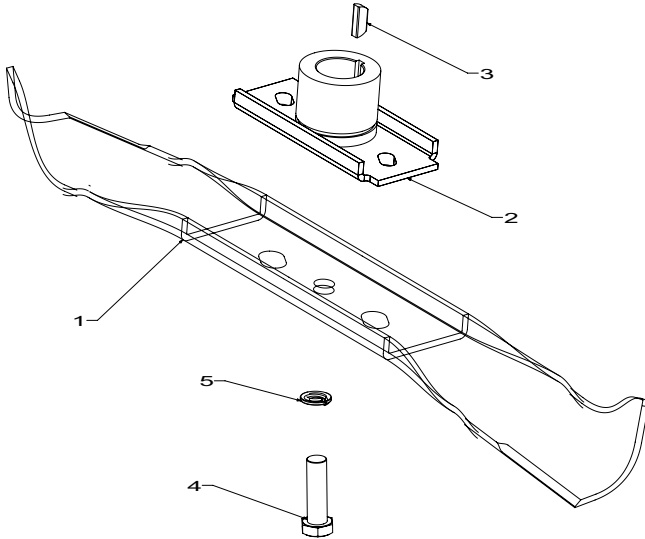


Powered by:
200 ST : Briggs & Stratton Series 450

Masport

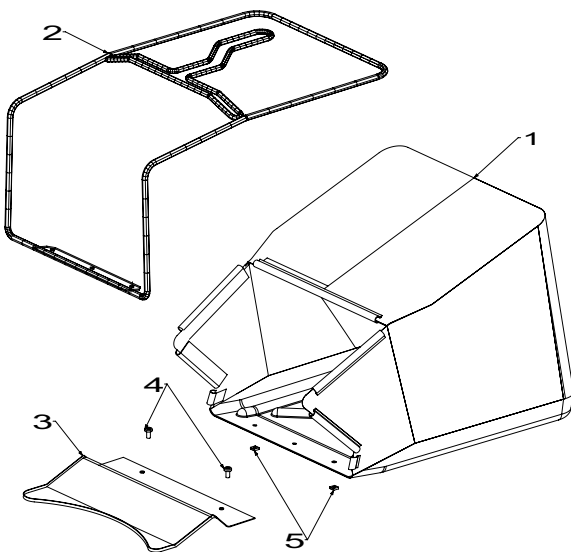
Issue C.1
October 2012
REF # 779893/S

460mm Bar Blade Assembly



| Item | Part No | Description | Qty |
|------|---------------|-------------------------------|----------|
| 1 | 911181 | Blade- Bar, 460 mm | 1 |
| 2 | 911106 | Driver Assy-Blade - 7/8 | 1 |
| 3 | 500636 | Key- W/ruff 5/8x5/32x1/4 | 1 |
| 4 | 581610 | Screw, Set NF 3/8x1.25 NYG8 | 1 |
| 5 | 500204 | Washer, Spring 3/8" | 1 |
| | 711181 | Blade Bar Pack | 1 |
| | | <i>(incl items 1,4 and 5)</i> | |

Catcher Assembly Fabric - 779349



| Item | Part No | Description | Qty |
|------|---------|-------------------------|-----|
| 1 | 580037 | Bag Assy, Catcher | 1 |
| 2 | 579312 | Frame Assy, Catcher 18" | 1 |
| 3 | 580036 | Lip, Catcher | 1 |
| 4 | 503591 | Screw, Pan M6x12 | 2 |
| 5 | 502098 | Nut, M6 Square Pressed | 2 |