

# Masport<sup>®</sup>

## EXPORT ROTARY MOWERS

### ROTAROLA 18" - OPC

Part Number  
457941

Model  
Rotarola AL SP

Engine  
B&S XVS Series 675

Month and Year of First Manufacture - September 2008  
Starting Serial Number - 7153214



Issue B.2  
ECN 03013  
Aug 2015 BH  
REF # 757941S

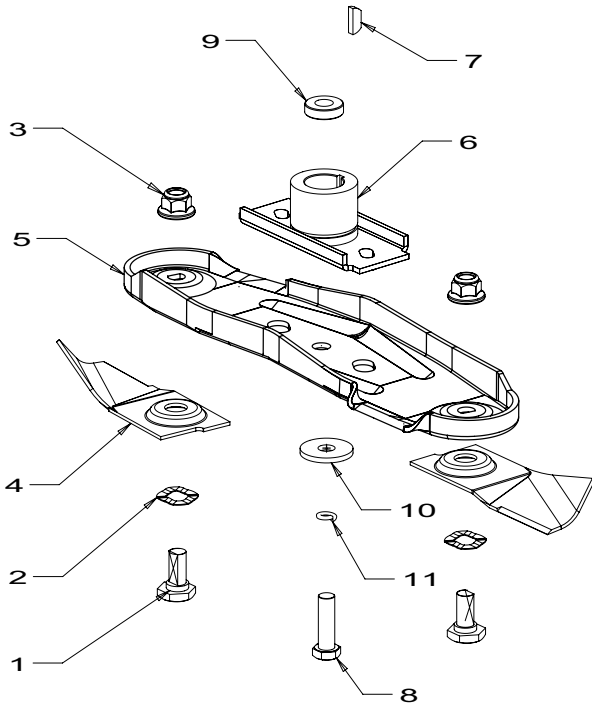


**Rotarola AL SP**  
**Powered by: B&S XVS Series 675**

# Masport

*Issue B.2*  
*ECN 03013*  
*Aug 2015 Bh*  
**REF # 757941S**

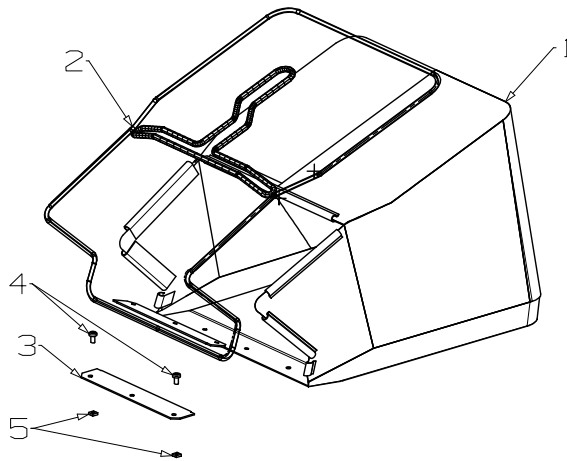
## 460mm QuickCut Blade Assembly



| Item | Part No | Description                | Qty |
|------|---------|----------------------------|-----|
| 1    | 581707  | Bolt-Pivot M10x22          | 2   |
| 2    | 580693  | Washer, Wavy 13.4x24.2x5.1 | 2   |
| 3    | 503672  | Nut, M10 Hex Nyloc Flange  | 2   |
| 4    | 980658  | Blade- QuickCut 460mm      | 2   |
| 5    | 980653  | Carrier- Blade, QuickCut   | 1   |
| 6    | 031640  | Driver Assy- 25 mm         | 1   |
| 7    | 503363  | Key- W/ruff 5/8x3/16x1/4   | 1   |
| 8    | 503543  | Bolt; Set NF 3/8x1.5 NYG8  | 1   |
| 9    | 573585  | Washer, Flat 10 x 22x4     | 1   |
| 10   | 503667  | Washer, Flt 9.75x30x3.0    | 1   |
| 11   | 500204  | Washer, Spring 3/8"        | 1   |

**783690 Bolt Set, Inc Items 1, 2, 3**  
**780658 Blade & Bolt Pack, Inc Items 1, 2, 3, 4**  
**783261 Blade Assy 460, Inc Items 1, 2, 3, 4, 5**

## 957168 Catcher Assembly - Fabric (Includes items 1 ~ 5)



| Item | Part No | Description             | Qty |
|------|---------|-------------------------|-----|
| 1    | 557263  | Bag Assy- Catcher, RR   | 1   |
| 2    | 557092  | Frame Assy- Catcher, RR | 1   |
| 3    | 557388  | Plate- Catcher, Bag RR  | 1   |
| 4    | 503591  | Screw, Pan M6x12        | 2   |
| 5    | 502098  | Nut, M6 Squ Pressed     | 2   |

## NOT ILLUSTRATED

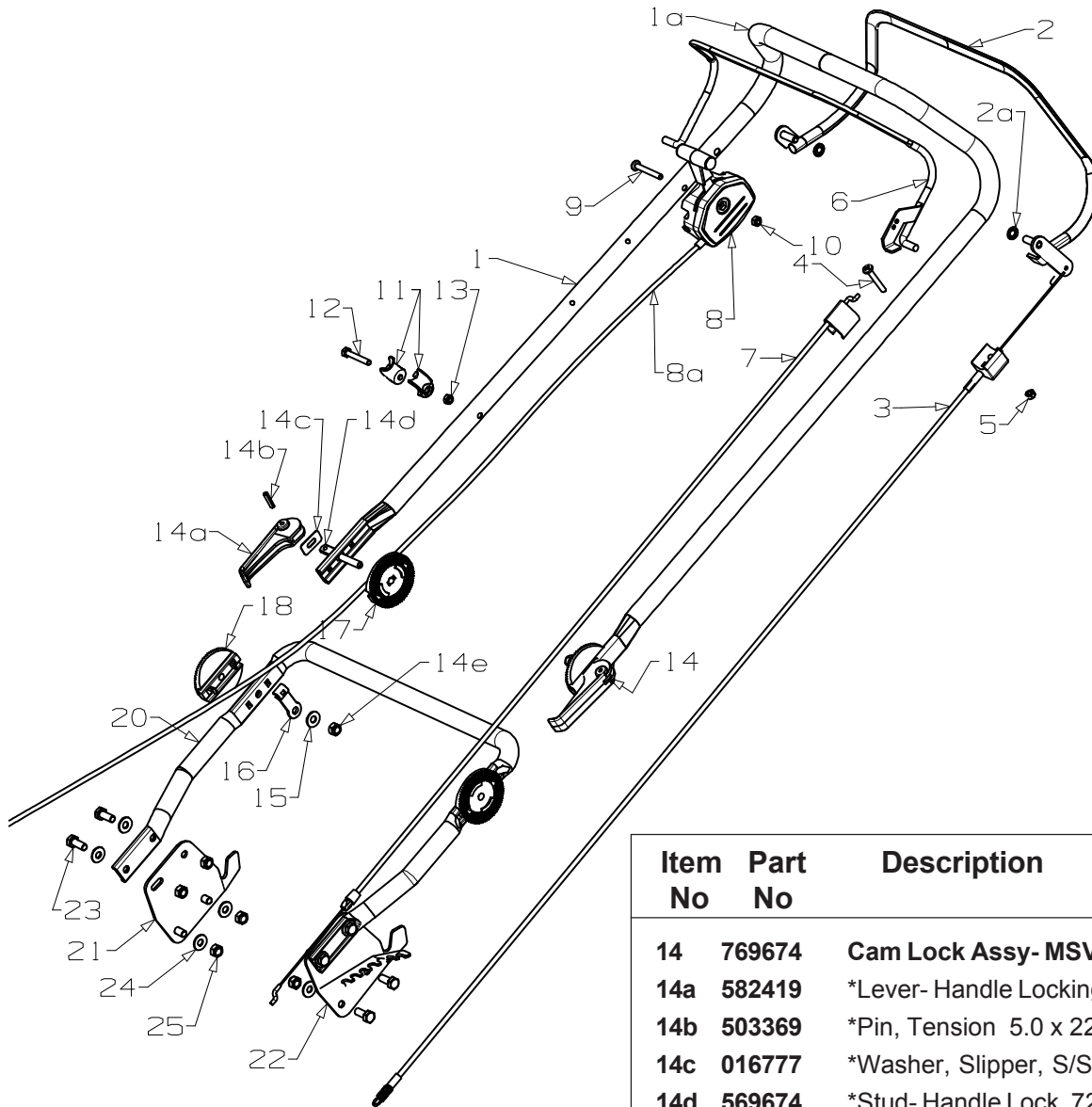
|               |                             |          |               |                               |          |
|---------------|-----------------------------|----------|---------------|-------------------------------|----------|
| <b>503054</b> | Tie- Nylon Cable            | <b>5</b> | <b>573810</b> | Belt- V No. 6731 3L-787 Gates | <b>1</b> |
| <b>557376</b> | Decal, HSG Rotarola         | <b>1</b> | <b>557210</b> | Chain, 3/16 x P 1/2, 22P      | <b>1</b> |
| <b>569324</b> | Owners Manual               | <b>1</b> | <b>557308</b> | Chain, 3/16 x P 1/2, 34.5P    | <b>1</b> |
| <b>571100</b> | Decal, Power Drive          | <b>1</b> | <b>580778</b> | Stop- Rope                    | <b>1</b> |
| <b>573198</b> | Decal, HSG "Self Propelled" | <b>1</b> | <b>582049</b> | Decal, Flap Caution           | <b>1</b> |



**Rotarola AL SP**  
**Powered by: B&S XVS Series 675**

# Masport

Issue B.2  
 ECN 03013  
 Aug 2015 Bh  
 REF # 757941S



| Item No | Part No | Description                     | Qty |
|---------|---------|---------------------------------|-----|
| 14      | 769674  | <b>Cam Lock Assy- MSV</b>       | 2   |
| 14a     | 582419  | *Lever- Handle Locking, MSV     | 1   |
| 14b     | 503369  | *Pin, Tension 5.0 x 22          | 1   |
| 14c     | 016777  | *Washer, Slipper, S/S           | 1   |
| 14d     | 569674  | *Stud- Handle Lock, 72mm        | 1   |
| 14e     | 501793  | *Nut, M8 Hex Nylock x 8mm Thick | 1   |
| 15      | 501606  | Washer, Flt 8x19x1.6            | 2   |
| 16      | 581527  | Retainer- Clutch Cable          | 1   |
| 17      | 569673  | Disc- Locking, Outer Thick      | 2   |
| 18      | 569770  | Disc- Locking, Inner Thick      | 2   |
| 20      | 981712  | Handle- Lower, "U" Adj 18"      | 1   |
| 21      | 981643  | Plate- Side, RH Blk             | 1   |
| 22      | 981644  | Plate- Side, LH Blk             | 1   |
| 23      | 501597  | Screw, Set M8x20 Hex            | 8   |
| 24      | 501606  | Washer, Flt 8x19x1.6            | 8   |
| 25      | 501793  | Nut, M8 Nylocx 8 Thck           | 8   |

| Item No | Part No | Description                             | Qty |
|---------|---------|---|-----|
| 1/1a    | 773721  | Handle Upper, Upt, Adj, OPC SP          | 1   |
| 2       | 982161  | Bail Arm Assy, SP                       | 1   |
| 2a      | 501365  | Clip- Starlock, 5/16"                   | 2   |
| 3       | 582235  | Cable- Clutch, Thumb Wheel              | 1   |
| 4       | 503604  | Screw, Pan M6x45 Poz ZP                 | 1   |
| 5       | 501764  | Nut, M6 Nylocx 6 Thck                   | 1   |
| 6       | 981740  | Bail Arm Assy, OPC Flatnd               | 1   |
| 7       | 582523  | Cable- Engine, OPC Push On              | 1   |
| 8/8a    | 582506  | <b>Control-Throttle, Capro "T" Assy</b> | 1   |
| 9       | 503508  | *Screw, Pan M6x55 Poz ZP                | 1   |
| 10      | 501764  | *Nut, M6 Nylocx 6 Thck                  | 1   |
| 11      | 703856  | <b>Comfort Start Kit</b>                | 1   |
| 12      | 503794  | *Screw, Set M6x40 (HT4.6) Hex           | 1   |
| 13      | 501764  | *Nut, M6 Nylocx 6 Thck                  | 1   |

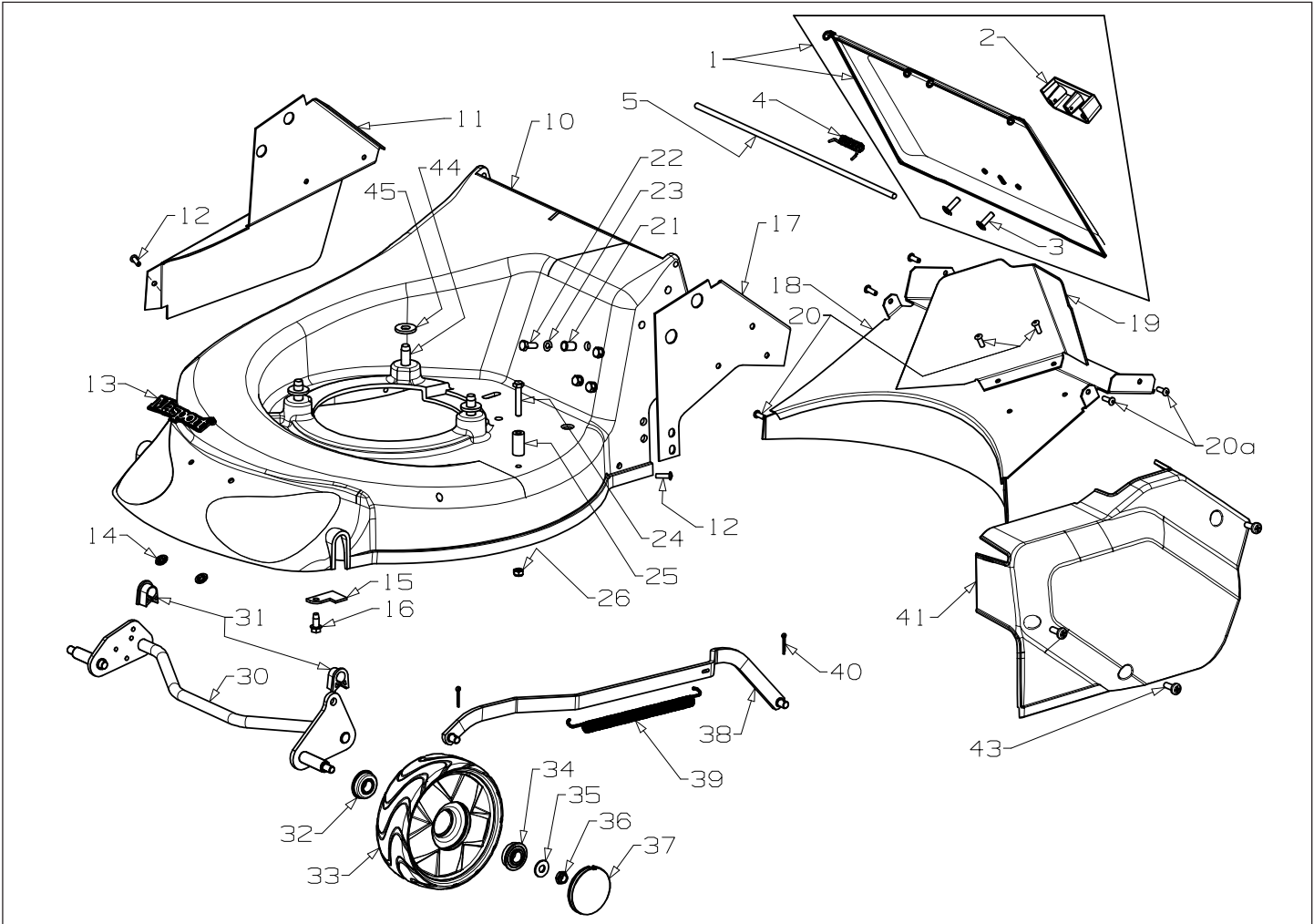
When ordering PLEASE QUOTE PART NUMBER & Description, NOT Illustration No.  
 Determine right or left hand side from standing in operating position (standing at handle)  
**Bold Text** = Assemblies, Bulleted Text \* = Items included in the Assemblies



Rotarola AL SP  
Powered by: B&S XVS Series 675

# Masport

Issue B.2  
ECN 03013  
Aug 2015 Bh  
REF # 757941S



| Item No | Part No | Description                         | Qty | Item No | Part No | Description                       | Qty |
|---------|---------|-------------------------------------|-----|---------|---------|-----------------------------------|-----|
| 1       | 781477  | <b>Flap assembly - Steel, Black</b> | 1   | 24      | 501815  | Screw, Set M6 x 35                | 1   |
| 2       | 580602  | *Handle- Flap                       | 1   | 25      | 503874  | Bush X-Lube 1/4" x 1/2" x 1"      | 1   |
| 3       | 503650  | *Screw; S/Tapping #12x11/16"        | 2   | 26      | 501764  | Nut, M6 Hex Nylock x 6mm Thick    | 1   |
| 4       | 564275  | Spring- Flap, STL 18"/20"           | 1   | 30      | 983246  | Axle Assy, Front 150mm Thrd       | 1   |
| 5       | 580007  | Wire- Flap, Pivot 6x347             | 1   | 31      | 580030  | Bush- Pivot, Axle                 | 2   |
| 10      | 779498  | <b>Hsg Assy- Ali 18" RR SP TTNM</b> | 1   | 32      | 551212  | Bearing- Wheel, Ball Type         | 2   |
| 11      | 957311  | *Cover- Side, RH TTNM               | 1   | 33      | 579195  | <b>Wheel Assy- 150mm Spkd Slv</b> | 2   |
| 12      | 503272  | Rivet- Pop 4.8 x 4.8                | 2   |         |         | (Includes 2 x 551212 per wheel)   |     |
| 13      | 567406  | Nameplate, Masport B/W              | 1   | 34      | 551212  | Bearing- Wheel, Ball Type         | 2   |
| 14      | 503150  | Clip- Starlock, 5 Dia               | 2   | 35      | 501606  | Washer, Flt 8x19x1.6              | 2   |
| 15      | 980564  | Plate- Retainer, Front Axle         | 2   | 36      | 503831  | Nut, M8 Hex Nyloc 6 Thck          | 2   |
| 16      | 501599  | Screw, S/T 1/4x5/8 Hex              | 2   | 37      | 579198  | Hub Cap, Button Spkd Slv          | 2   |
| 17      | 957312  | Plate- Side, LH                     | 1   | 38      | 957290  | Rod Assy, Connecting R/R SP       | 1   |
| 18      | 957270  | Ramp Assy, Grass                    | 1   | 39      | 580621  | Spring, Counter Balance SP RR     | 1   |
| 19      | 957273  | Cover- Chute, Grass                 | 1   | 40      | 501056  | Pin, Cotter 2.3d x 16             | 2   |
| 20      | 503399  | Rivet- Pop 4.8 x 12.7               | 3   | 41      | 557301  | Cover- Side, LH 18" R/R           | 1   |
| 20a     | 503423  | Rivet- Pop 4.8 x 6.4                | 4   | 43      | 503331  | Screw, Pan M6 x 16                | 3   |
| 21      | 501040  | Nut, M6 Nutsert 9658-0619           | 4   | 44      | 583104  | Screw, S/T 3/8x1-5/8 UNC TRIBLK   | 3   |
| 22      | 503223  | Screw, Set M6 x 16 HT 8.8           | 4   | 45      | 573585  | Washer, Flat 10 x22x4             | 3   |
| 23      | 500201  | Washer, Spg 6                       | 4   |         |         |                                   |     |

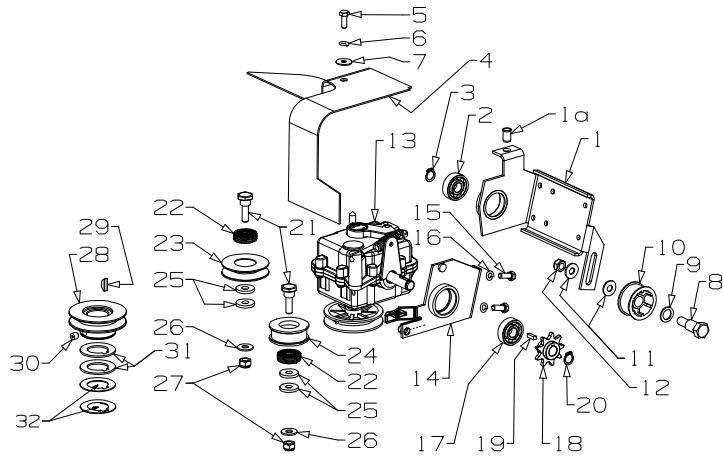
When ordering PLEASE QUOTE PART NUMBER & Description, NOT Illustration No.  
Determine right or left hand side from standing in operating position (standing at handle)  
**Bold Text** = Assemblies, Bulleted Text \* = Items included in the Assemblies



**Rotarola AL SP**  
**Powered by: B&S XVS Series 675**

# Masport

Issue B.2  
 ECN 03013  
 Aug 2015 Bh  
 REF # 757941S

|  |         |                              |     | Item No | Part No | Description                     | Qty |
|---|---------|------------------------------|-----|---------|---------|---------------------------------|-----|
|   |         |                              |     | 10      | 557067  | Pulley-Tensioner                | 1   |
|   |         |                              |     | 11      | 501606  | Washer, FLT 8 x 19 x 1.6        | 2   |
|   |         |                              |     | 12      | 501793  | Nut, M8 Hex Nylock 8thck        | 1   |
|   |         |                              |     | 13      | 557268  | Gearbox-Rotarola                | 1   |
|   |         |                              |     | 14      | 557281  | Support Assy- Gearbox, LH       | 1   |
|   |         |                              |     | 15      | 503223  | Screw, Set M6 x 16              | 2   |
|   |         |                              |     | 16      | 500201  | Washer, SPG                     | 2   |
|   |         |                              |     | 17      | 501213  | Brg, Ball 12x32x10 6201 2RS     | 1   |
|   |         |                              |     | 18      | 557306  | Sprocket- 9T, G/B Out           | 1   |
|   |         |                              |     | 19      | 503873  | Key 4 x 4 x 12                  | 1   |
|   |         |                              |     | 20      | 503759  | Circlip, 12 Ext                 | 1   |
|   |         |                              |     | 21      | 557317  | Stud- Idler Pulley              | 2   |
|   |         |                              |     | 22      | 503901  | Brg, Ball 12x28x8 6001 2RSH     | 2   |
|   |         |                              |     | 23      | 557316  | Pulley- V, Idler                | 1   |
|   |         |                              |     | 24      | 573382  | Pulley- Flat, Idler             | 1   |
|   |         |                              |     | 25      | 503872  | Washer, Flt 8x20x3.0            | 4   |
|   |         |                              |     | 26      | 501606  | Washer, FLT 8 x 19 x 1.6        | 2   |
|   |         |                              |     | 27      | 501793  | Nut, M8 Hex Nylocx 8thck        | 2   |
|   |         |                              |     | 28      | 573554  | Pulley- Eng 25 x 68 x 28.5      | 1   |
|   |         |                              |     | 29      | 503363  | Key, Woodruff 5/8x3/16x1/4      | 1   |
|   |         |                              |     | 30      | 503386  | Screw, Grb M8x8                 | 1   |
|   |         |                              |     | 31      | 569552  | Spacer- Pulley, Eng 25 x 42 x 2 | 2   |
|   |         |                              |     | 32      | 573024  | Spacer - Pulley Eng 25x42x1     | 2   |
| Item No   | Part No | Description                  | Qty |         |         |                                 |     |
| 1   | 957279  | Gearbox- Support Assy, RH    | 1   |         |         |                                 |     |
| 1a  | 501040  | Nut, M6 Nutsert              | 1   |         |         |                                 |     |
| 2   | 501213  | Brg, Ball 12x32x10 6201 2RS  | 1   |         |         |                                 |     |
| 3   | 503759  | Circlip, 12 Ext              | 1   |         |         |                                 |     |
| 4   | 957313  | Cover- Gearbox Ttnm          | 1   |         |         |                                 |     |
| 5   | 503223  | Screw, Set M6x16 HT8.8 Hex   | 1   |         |         |                                 |     |
| 6   | 500201  | Washer, SPG 6                | 1   |         |         |                                 |     |
| 7   | 501606  | Washer, Flt 8 x 19 x 1.6     | 1   |         |         |                                 |     |
| 8   | 557300  | Stud - Tensioner Pulley      | 1   |         |         |                                 |     |
| 9   | 503301  | Washer; Flt 1/2 x 3/4 x 18G  | 1   |         |         |                                 |     |
| Item No   | Part No | Description                  | Qty | Item No | Part No | Description                     | Qty |
|   |         |                              |     | 58      | 581729  | Knob- Height Lever MSV          | 1   |
|   |         |                              |     | 59      | 564355  | Rod- Height Selector, R/R       | 1   |
|   |         |                              |     | 60      | 573849  | Spring- Leaf, 2mm               | 1   |
|   |         |                              |     | 61      | 503373  | Rivet- F/HD 3/16"x27/64"        | 3   |
|   |         |                              |     | 62      | 557055  | Bracket- Mounting, Bottom       | 2   |
|   |         |                              |     | 63      | 557050  | Bracket- Mounting, Top          | 2   |
|   |         |                              |     | 64      | 503650  | Screw, S/Tapping #12 x 11/16"   | 4   |
|   |         |                              |     | 65      | 503639  | Washer, Ext Tooth Grip 6 ID     | 4   |
|   |         |                              |     | 66      | 501597  | Screw, Set M8x20 Hex            | 2   |
|   |         |                              |     | 67      | 501793  | Nut, M8 Nylock x 8mm Thick      | 4   |
|   |         |                              |     | 68      | 501598  | Screw, Set M8x25 Hex            | 2   |
|   |         |                              |     | 70      | 957212  | Sprocket Assy- 9 Tooth          | 1   |
|   |         |                              |     | 71      | 557307  | Sprocket-Intermediate           | 1   |
|   |         |                              |     | 72      | 500858  | Washer, Flat 1/2 x 1.0 x .062   | 1   |
|   |         |                              |     | 73      | 503293  | Circlip, 1/2" Ext               | 1   |
|   |         |                              |     | 74      | 557209  | Cover- Chain, Rotarola          | 1   |
|   |         |                              |     | 75      | 503223  | Screw, M6 x 16                  | 3   |
| Item No   | Part No | Description                  | Qty |         |         |                                 |     |
| 51  | 957276  | Roller Assy, Steel 18" RR SP | 1   |         |         |                                 |     |
| 52  | 503820  | Brg, Ball 15x35x11 6202NR2RS | 2   |         |         |                                 |     |
| 53  | 557278  | Sprocket- 9T, Driven         | 1   |         |         |                                 |     |
| 54  | 503042  | Pin, Tension 4.0x30          | 1   |         |         |                                 |     |
| 55  | 501959  | Screw, Set M6x12 Hex         | 1   |         |         |                                 |     |
| 56  | 503196  | Washer, Flt 1/4x0.75x0.049   | 1   |         |         |                                 |     |
| 57  | 957254  | Frame Assy, Rear 18" SP RR   | 1   |         |         |                                 |     |

When ordering PLEASE QUOTE PART NUMBER & Description, NOT Illustration No.  
 Determine right or left hand side from standing in operating position (standing at handle)  
**Bold Text** = Assemblies, **Bulleted Text** \* = Items included in the Assemblies