

# Masport<sup>®</sup>

## EXPORT ROTARY MOWERS

### SERIES 21 - OPC

Part Number

464794

Model

800AL 3'N1 SP

Engine

B&S Series 675

Month and Year of First Manufacture - Nov 2014

Serial number starting from - 7875994



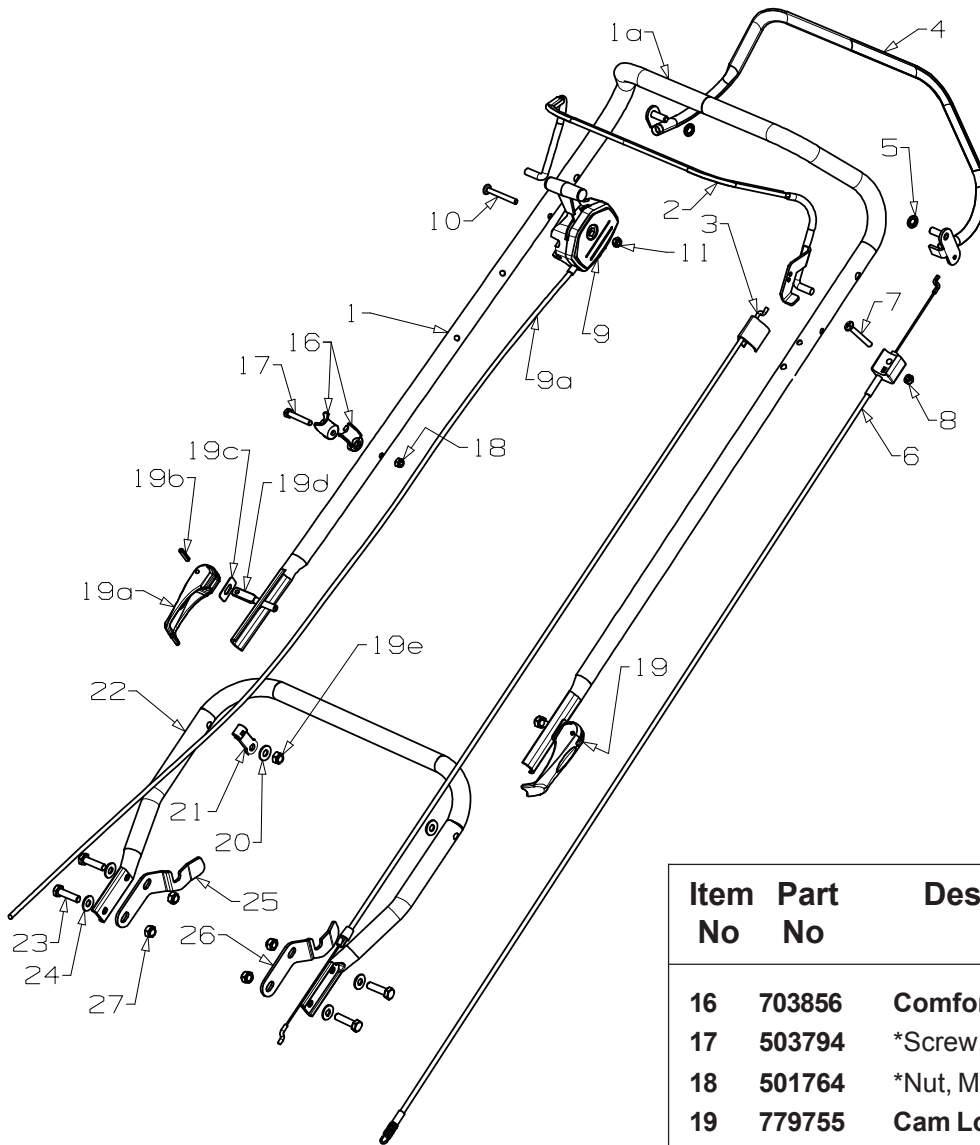
Issue A.0  
ECN 02892  
Jan 2015 BH  
REF # 764794S



S21 W/C 800AL SP 3n1  
 Powered by : B&S XVS Series 675

# Masport

Issue A.0  
 ECN 02892  
 Jan 2015 BH  
 REF # 764794S



Item No	Part No	Description	Qty
16	703856	<b>Comfort Start Kit</b>	1
17	503794	*Screw, Set M6 x 40	1
18	501764	*Nut, M6 Hex Nyloc x 6mm Thick	1
19	779755	<b>Cam Lock Assembly - MSV</b>	2
19a	582419	*Lever- Handle Locking	1
19b	503369	*Pin, Tension 5.0 x 22	1
19c	016777	*Washer- Slipper S/S	1
19d	583041	*Stud- Handle Lock, 61mm	1
19e	501793	*Nut, M8 Hex Nyloc x 8mm Thick	1
20	501606	Washer, Flat 8 x 19 x 1.6	2
21	581527	Retainer- Clutch Cable, Handle	1
22	973125	Handle- Lower, "U" 19" Wide	1
23	501598	Screw, Set M8 x 25	4
24	501606	Washer, Flat 8 x 19 x 1.6	4
25	567400	Bracket- Mount Catcher, RH	1
26	567399	Bracket- Mount Catcher, LH	1
27	501793	Nut, M8 Hex Nyloc x 8mm	4

Item No	Part No	Description	Qty
1/1a	764430	<b>Handle &amp; Sleeve, Black</b>	1
2	981740	Bail Arm Assy, OPC	1
3	579782	Cable- Engine OPC (push on)	1
4	982161	Bail Arm Assy, SP	1
5	501365	Clip- Starlock, 5/16"	2
6	567410	Cable- Clutch, Thumb Wheel	1
7	503604	Screw, Set M6 x 45	1
8	501764	Nut, M6 Hex Nyloc x 6mm Thick	1
9/9a	582506	<b>Control-Throttle, Capro "T"</b>	1
10	503508	*Screw, Pan M6 x 55	1
11	501764	*Nut, M6 Hex Nyloc x 6mm Thick	1

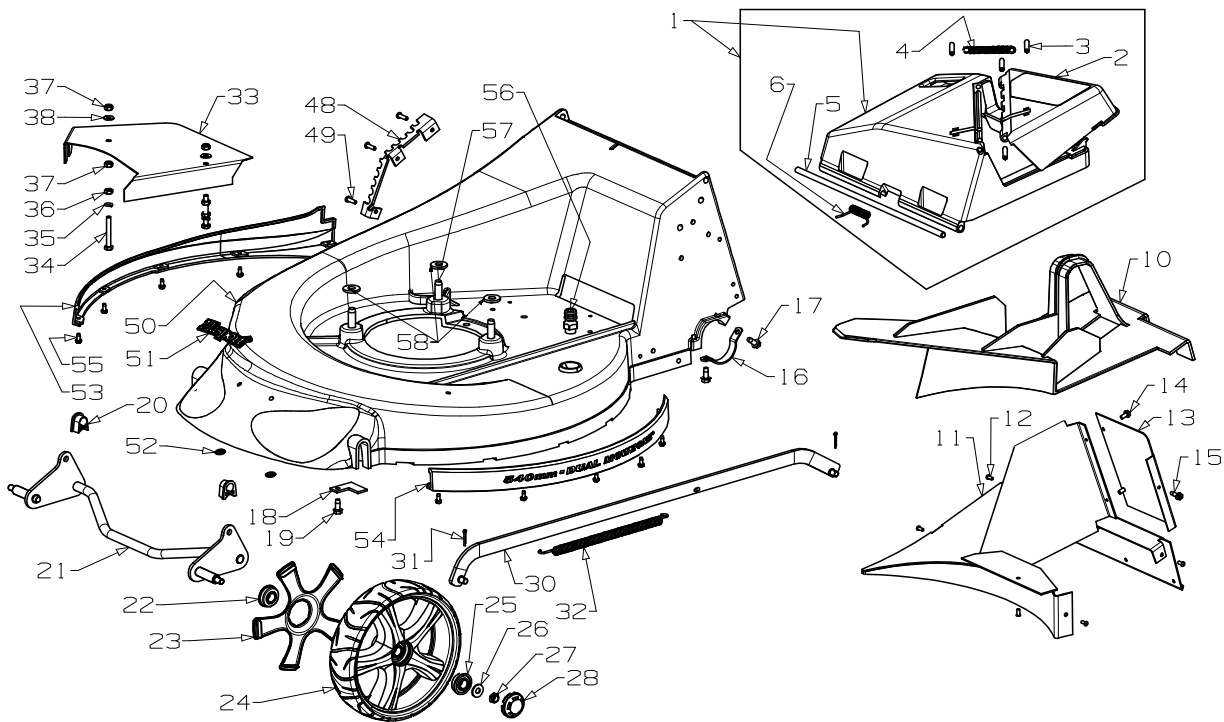
When ordering PLEASE QUOTE PART NUMBER & Description, NOT Illustration No.  
 Determine right or left hand side from standing in operating position (standing at handle)  
**Bold Text** = Assemblies, Bulleted Text \* = Items included in the Assemblies



S21 W/C 800AL SP 3n1  
Powered by : B&S XVS Series 675

# Masport

Issue A.0  
ECN 02892  
Jan 2015 BH  
REF # 764794S



Item No	Part No	Description	Qty	Item No	Part No	Description	Qty
1	767647	Flap Assy- Smart Chute, R/Blk	1	30	573814	Rod Assy, Connecting 540 SP	1
2	*571095	Flap- Door, Side RED	1	31	501056	Pin, Cotter 2.3 x 16	2
3	*581676	Pin, Tension 6x35	4	32	573844	Spring- Counter Balance, SP	1
4	*581648	Spring- Flap, Side Discharge	1	33	973662	Cover Belt	1
5	*783312	Wire- Flap, Pivot 8x325	1	34	503558	Screw, Set M6x45	2
6	*583343	Spring, Flap 19"	1	35	500201	Washer, Spring 6	2
10	573059	Insert, Mulching 21" Ali	1	36	501682	Nut, M6 Hex	2
11	967244	Tunnel Assy, 21"	1	37	501764	Nut, M6 Nylocx 6 Thck	4
12	503201	Rivet-Pop 4x7.9	5	38	501703	Washer, Flt 6x14x1.2	2
13	573182	Tunnel- GBox Cover 21" Ali	1	48	573582	Quadrant, Height Selector 21"	1
14	503630	Screw, S/T 10 x .4 Typ B	2	49	503204	Rivet- Pop 4.8x16.4 73SS 6-8	3
15	503489	Screw, Set M5 x 16 Tap/C	1	50	764100	<b>Hsg, Ali T 21" SPVSYNC TTNM</b>	1
16	980586	Retainer, Axle Rear	2	51	567406	*Nameplate- MASPORT MSV	1
17	501599	Screw, S/T 1/4x5/8xHex	4	52	503150	*Clip- Starlock, 5mm dia	2
18	983315	Plate-Retainer, Axle 19"	2	53	579741	Skirt- Side, RH 540	1
19	501599	Screw, S/T 1/4x5/8xHex	2	54	579742	Skirt- Side, LH 540	1
20	580030	Bush- Pivot, Front Axle	2	55	503834	Screw, S/T M4x10 Washer	10
21	983305	Axle Assy, Front 200mm	1	56	503783	Cyclowash- Fitting	1
22	551212	Bearing -Wheel, Ball Type	2	57	583104	Screw, S/T 3/8x1 - 5/8 UNC Triblk	3
23	579205	Cover- Inner, Wheel Slvr	2	58	503419	Washer, FLT 10 x 23 x 3.0	3
24	579203	<b>Wheel Assy,200mm BB Mag Slvr</b> <b>(Includes 2 x 551212 per wheel)</b>	2				
25	551212	Bearing -Wheel, Ball Type	2				
26	501606	Washer, Flat 8x19x1.6	2				
27	503831	Nut, M8 Nylocx 6 Thck	2				
28	579204	Hub Cap, Button Mag Silver	2				

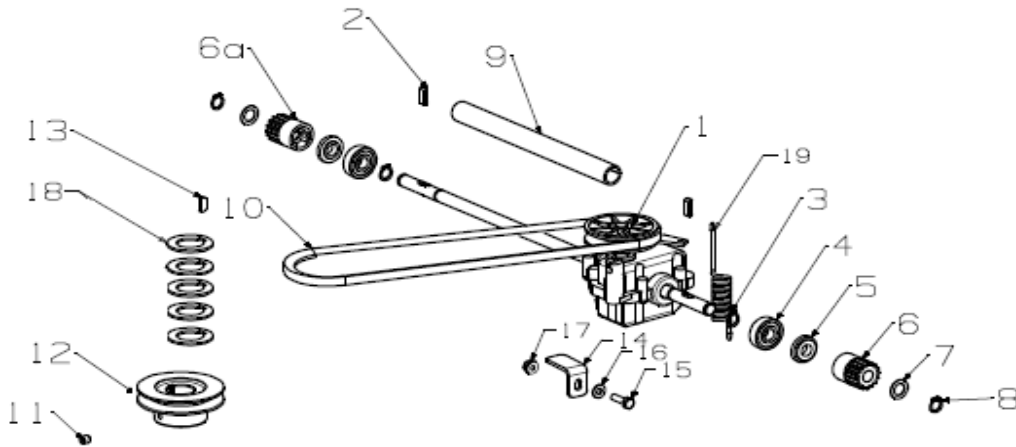
When ordering PLEASE QUOTE PART NUMBER & Description, NOT Illustration No.  
Determine right or left hand side from standing in operating position (standing at handle)  
**Bold Text** = Assemblies, Bulleted Text \* = Items included in the Assemblies



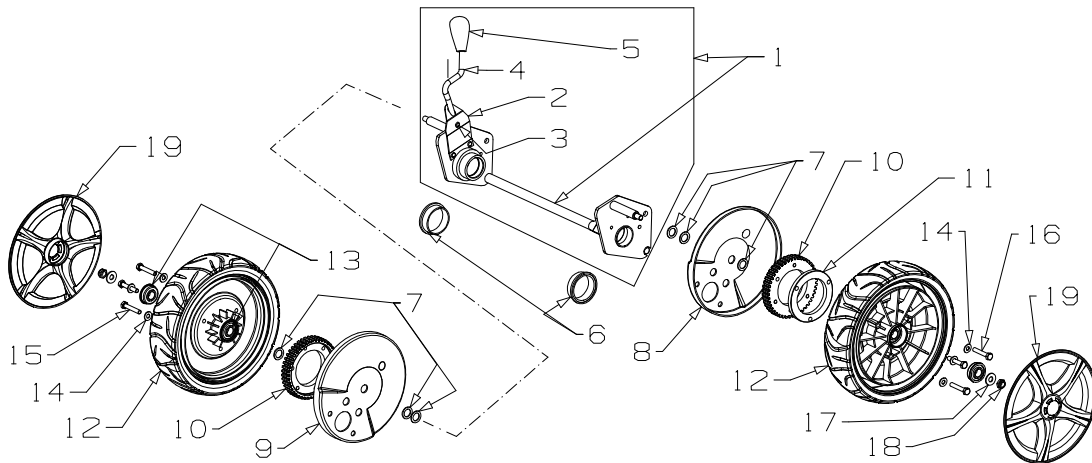
S21 W/C 800AL SP 3n1  
Powered by : B&S XVS Series 675

# Masport

Issue A.0  
ECN 02892  
Jan 2015 BH  
REF # 764794S



Item No	Part No	Description	Qty	Item No	Part No	Description	Qty
1	567356	Gear Box, Single SP Synchro 21"	1	10	582028	Belt-VHC VEXTRA XPZ 937	1
2	581092	Pawl, Pinion 950 SP	2	11	573735	Pulley- Eng, 25Bx79Dx26.5H SP	1
3	503759	Circlip, 12 EXT DIN 471	2	12	503386	Screw, Grb M8x8	1
4	501213	Bearing, 12x32x10 6201 2RS	2	13	503363	Key, Woodruff 5/8x3/16x1/4	1
5	581093	Cap, Pinion 950 SP Plastic	2	14	564036	Bracket Mount, Syncro	1
6	569178	Pinion- LH, 12 Teeth	1	15	501600	Screw, Set M6 x 20	1
6a	569179	Pinion- RH, 12 Teeth	1	16	501703	Washer, Flat 6x14x1.2	1
7	503102	Washer, Flat 12x20x0.4	2	17	503973	Nut M6 Hex Nyloc Flange	1
8	503759	Circlip, 12 EXT DIN 471	2	18	569552	Spacer Pulley Eng	5
9	583563	Sleeve, Rear Axle MSV SP	1	19	567417	Spring Belt Tensioning	1



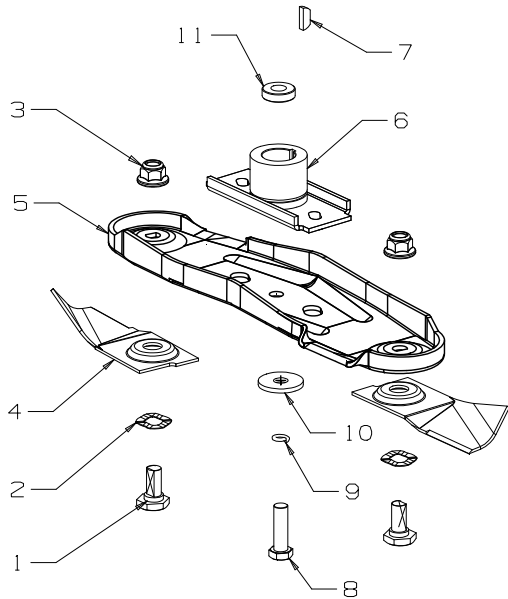
Item No	Part No	Description	Qty	Item No	Part No	Description	Qty
1	773868	<b>Axle Assy- Rear Drive, 21 "SP</b>	1	11	569479	Spacer- Gear, Driving	1
2	573849	*Spring- Leaf, 2mm	1	12	579070	Wheel Assy-220mm MSV SP	2
3	503373	*Rivet-F/HD3/16"x27/64"	3	13	551212	Bearing-Wheel,	4
4	973681	*Rod-Height Selector, MSV	1	14	501703	Washer, Flat 6 x 14 x 1.2	6
5	581729	*Knob Height Lever	1	15	501815	Screw, Set M6 x 35	3
6	580091	Bush- Pivot, Rear Axle	2	16	503794	Screw, Set M6 x 40	3
7	503301	Washer; FLT 1/2 x3/4x18G	6	17	501606	Washer, Flat 8 x 19 x 1.6	2
8	579426	Cover Dust RH + LH MSV SP	1	18	503831	Nut, M8 Hex Nyloc x 6mm thick	2
9	579426	Cover Dust RH + LH MSV SP	1	19	579207	Hub Cap-220mm MSV-SP Slvr	2
10	569180	Gear- Driving, 45 Teeth	2				

When ordering PLEASE QUOTE PART NUMBER & Description, NOT Illustration No.  
Determine right or left hand side from standing in operating position (standing at handle)  
**Bold Text** = Assemblies, Bulleted Text \* = Items included in the Assemblies



S21 W/C 800AL SP 3n1  
 Powered by : B&S XVS Series 675

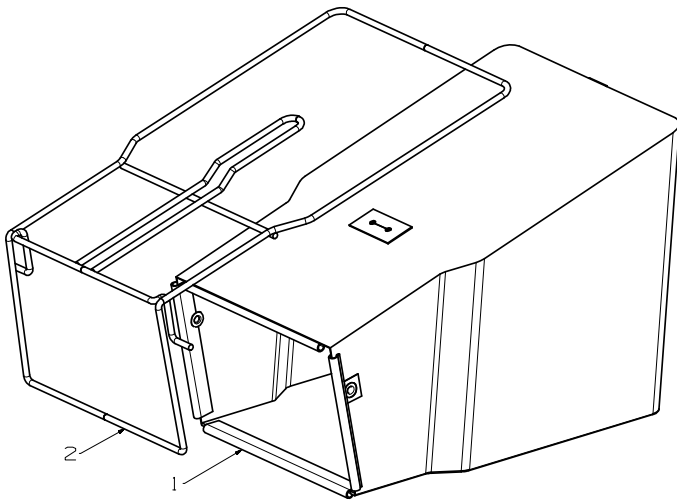
## 540mm Quick Cut Blade Assembly



Item	Part No	Description	Qty
1	581707	Bolt-Blade	2
2	580693	Washer, Wavy 13.4 x 24.2	2
3	503672	Nut, Flange Nyloc M10	2
4	579749	Blade, Quick Cut - 540mm	2
5	580653	Carrier- Blade, Quick Cut	1
6	531640	Driver Assy-Blade - 25mm	1
7	503363	Key, Woodruff - 5/8"x3/16"x1/4"	1
8	503543	Screw,Set NF 3/8" x 1.5 NYG8	1
9	500204	Washer, Spring 3/8"	1
10	503667	Washer, Flat 9.75 x 30 x 3.0	1
11	503419	Washer, Flat 10 x 23 x 3.0	1

783690 Bolt Set, Inc Items 1, 2, 3  
 767158 Blade & Bolt Pack, Inc Items 1, 2, 3, 4  
 769450 Blade Assy 540, Inc Items 1, 2, 3, 4, 5

## Catcher Assembly Plastic - 764139



Item	Part No	Description	Qty
1	564139	Bag Assy-Catcher, Plain	1
2	567461	Frame Assy- LG Catcher, 21"	1

## Not Illustrated

503054	Tie- Nylon Cable, Black	3	573198	Decal, HSG "Self Propelled"	1
564101	Decal, Flap-Smart Chute	1	579762	Decal, HSG S21 800	1
567545	Decal, HSG "NON RUST ALLOY"	1	580778	Stop Rope	1
569037	Ring- Safety, Black	1	581208	Decal, Height Gen/Combo	1
569324	O/Manual, Mow MASPORT	1			
571100	Decal, "Power Drive"	1			