

# Masport®

## EXPORT ROTARY MOWERS

# ROTAROLA 18" - OPC

<u>Part number</u>	<u>Model</u>	<u>Engine</u>
457945	Rotarola AL SP	Honda GCV 160E

Month and Year of First Manufacture - September 2011  
Serial number starting from - 7494435



Issue B.0  
ECN 03013  
Aug 2015 BH  
REF # 757945S

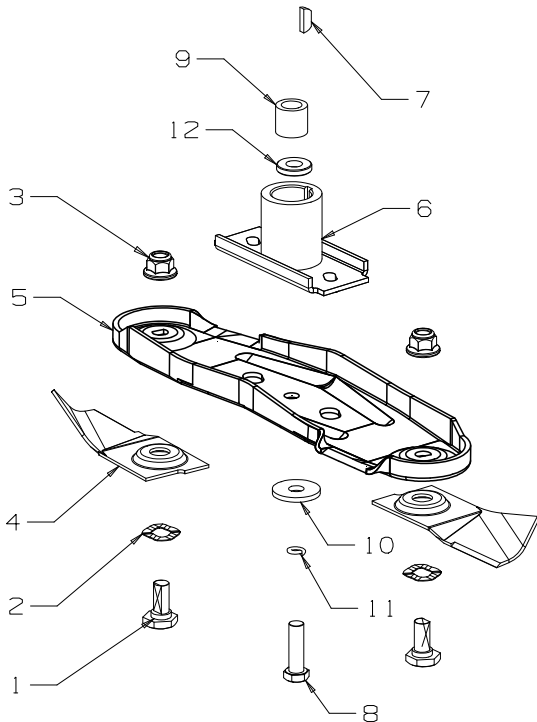


Rotarola AL SP  
Powered by: Honda GCV 160E

# Masport

Issue B.0  
ECN 03013  
Aug 2015 BH  
REF # 757945S

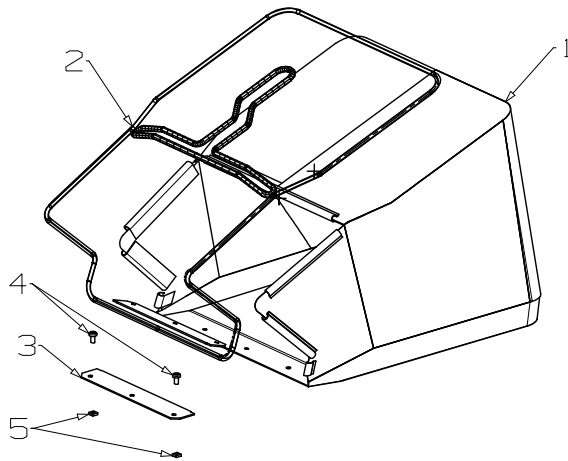
## 460mm QuickCut Blade Assembly



Item	Part No	Description	Qty
1	581707	Bolt-Pivot M10x22	2
2	580693	Washer, Wavy 13.4x24.2x5.1	2
3	503672	Nut, M10 Hex Nyloc Flange	2
4	980658	Blade- QuickCut 460mm	2
5	980653	Carrier- Blade, QuickCut	1
6	569735	Driver Assy- 25 mm	1
7	500636	Key- W/ruff 5/8x5/32x1/4	1
8	569629	Bolt; Set NF 3/8x2 HT B	1
9	981232	Spacer Boss, Blade adaptor	1
10	503667	Washer, Flt 9.75x30x3.0	1
11	500204	Washer, Spring 3/8"	1
12	573585	Spacer - Blade Driver 22x4	1

783690 Bolt Set, Inc Items 1, 2, 3  
780658 Blade & Bolt Pack, Inc Items 1, 2, 3, 4  
783261 Blade Assy Inc Items 1,2,3,4 and 5.

## 957168 Catcher Assembly - Fabric (Includes items 1 ~ 5)



Item	Part No	Description	Qty
1	557263	Bag Assy- Catcher, RR	1
2	557092	Frame Assy- Catcher, RR	1
3	557388	Plate- Catcher, Bag RR	1
4	503591	Screw, Pan M6x12	2
5	502098	Nut, M6 Squ Pressed	2

## NOT ILLUSTRATED

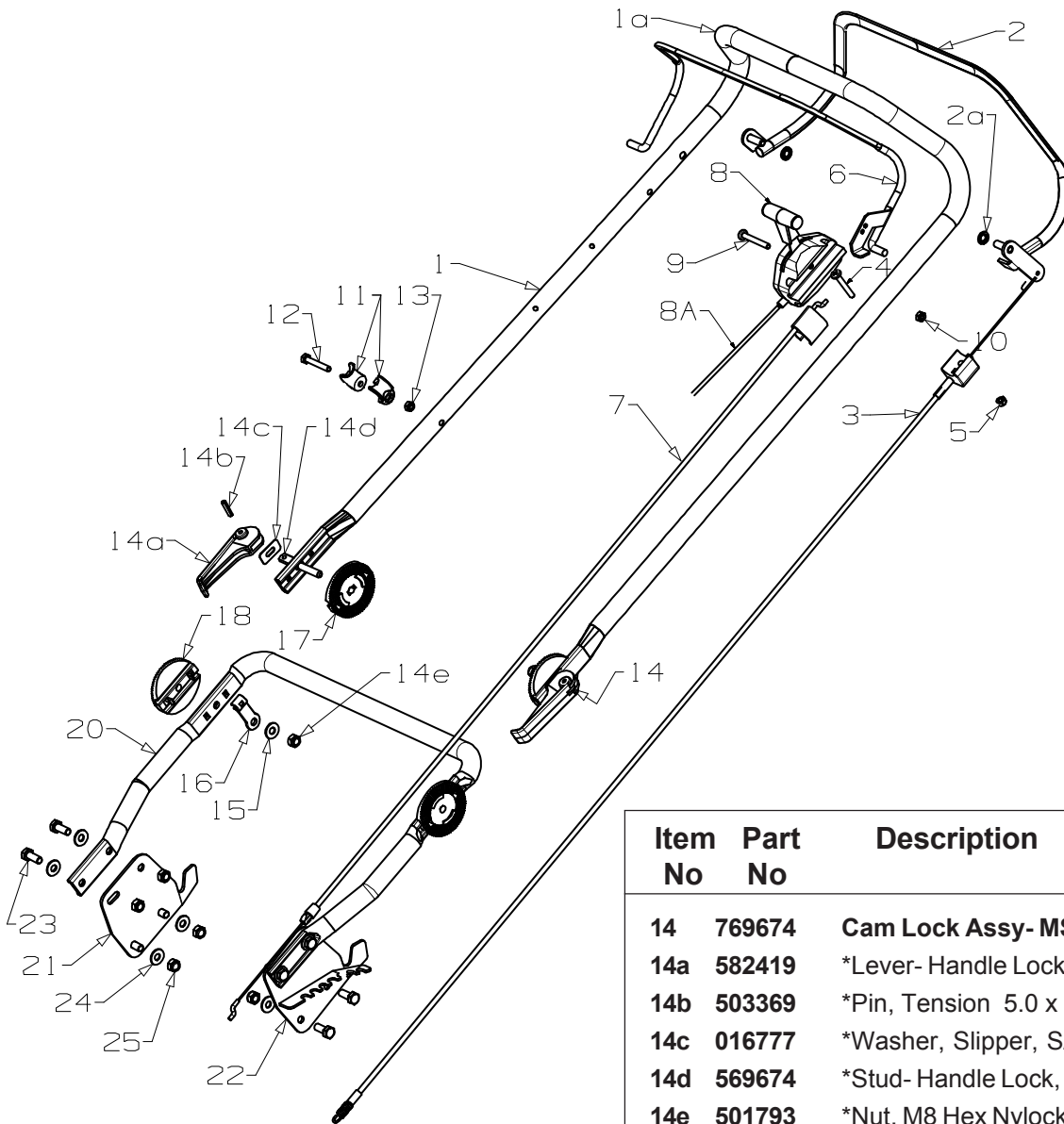
503054	Tie- Nylon Cable	4	573810	Belt- V No. 6731 3L-787 Gates	1
557376	Decal, HSG Rotarola	1	557210	Chain, 3/16 x P 1/2, 22P	1
569324	Owners Manual	1	557308	Chain, 3/16 x P 1/2, 34.5P	1
571100	Decal, Power Drive	1	580778	Stop- Rope	1
573198	Decal, HSG "Self Propelled"	1	582049	Decal, Flap Caution	1



Rotarola AL SP  
Powered by: Honda GCV 160E

# Masport

Issue B.0  
ECN 03013  
Aug 2015 BH  
REF # 757945S



Item No	Part No	Description	Qty
14	769674	<b>Cam Lock Assy- MSV</b>	2
14a	582419	*Lever- Handle Locking, MSV	1
14b	503369	*Pin, Tension 5.0 x 22	1
14c	016777	*Washer, Slipper, S/S	1
14d	569674	*Stud- Handle Lock, 72mm	1
14e	501793	*Nut, M8 Hex Nylock x 8mm Thick	1
15	501606	Washer, Flt 8x19x1.6	2
16	581527	Retainer- Clutch Cable	1
17	569673	Disc- Locking, Outer Thick	2
18	569770	Disc- Locking, Inner Thick	2
20	981712	Handle- Lower, "U" Adj 18"	1
21	981643	Plate- Side, RH Blk	1
22	981644	Plate- Side, LH Blk	1
23	501597	Screw, Set M8x20 Hex	8
24	501606	Washer, Flt 8x19x1.6	8
25	501793	Nut, M8 Nylockx 8 Thck	8

Item No	Part No	Description	Qty
1/1a	781664	Handle Upper, Upt, Adj, OPC SP	1
2	982161	Bail Arm Assy, SP	1
2a	501365	Clip- Starlock, 5/16"	2
3	582235	Cable- Clutch, Thumb Wheel	1
4	503604	Screw, Pan M6x45 Poz ZP	1
5	501764	Nut, M6 Nylocx 6 Thck	1
6	981740	Bail Arm Assy, OPC Flatnd	1
7	582523	Cable- Engine, OPC Push On	1
8/8a	582506	<b>Control-Throttle,Capro "T" Assy</b>	1
9	503508	*Screw, Pan M6x55 Poz ZP	1
10	501764	*Nut, M6 Nylocx 6 Thck	1
11	703856	<b>Comfort Start Kit</b>	1
12	503794	*Screw, Set M6 x 40HT 4.6 Hex	1
13	501764	*Nut, M6 Nylocx 6 Thck	1

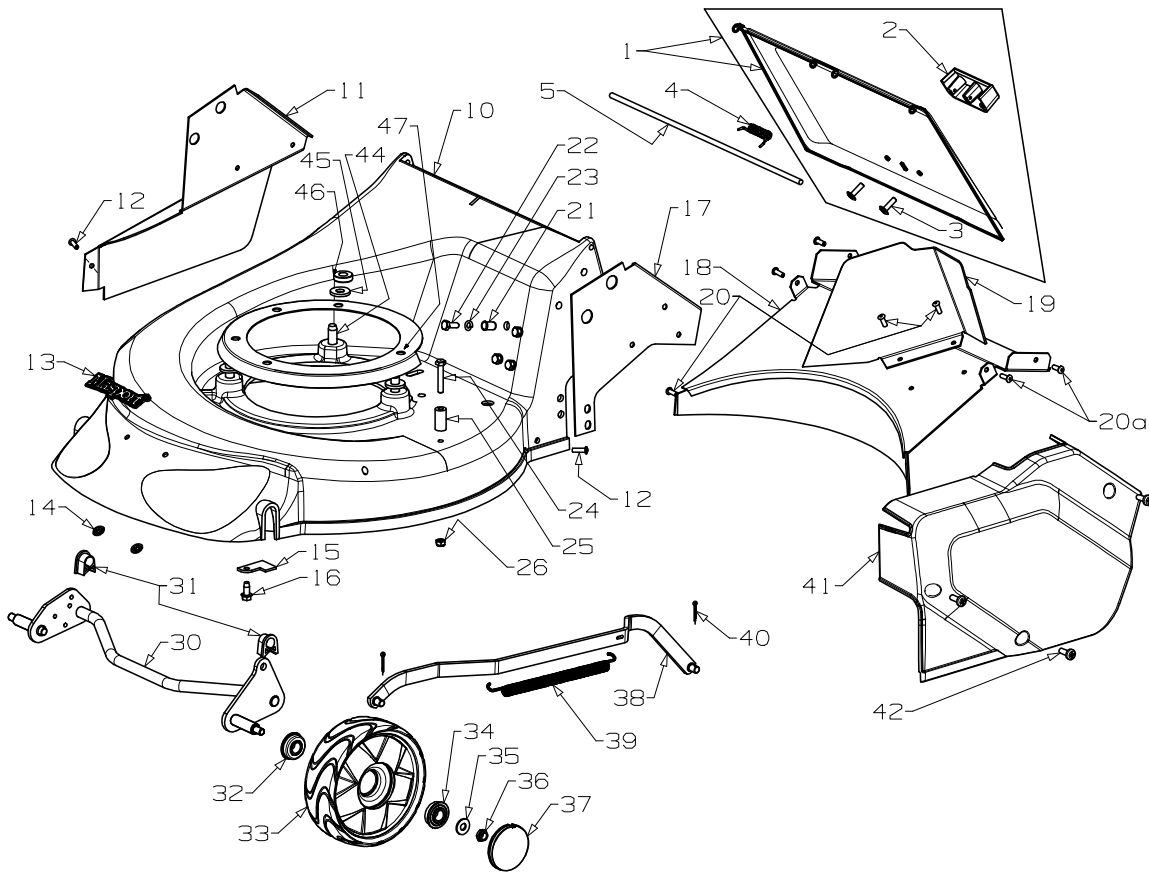
When ordering PLEASE QUOTE PART NUMBER & Description, NOT Illustration No.  
Determine right or left hand side from standing in operating position (standing at handle)  
**Bold Text** = Assemblies, **Bulleted Text** \* = Items included in the Assemblies



Rotarola AL SP  
Powered by: Honda GCV 160E

# Masport

Issue B.0  
ECN 03013  
Aug 2015 BH  
REF # 757945S



Item No	Part No	Description	Qty	Item No	Part No	Description	Qty
1	781477	<b>Flap assembly - Steel, Black</b>	1	25	503874	Bush X-Lube 1/4" x 1/2" x 1"	1
2	580602	*Handle- Flap	1	26	501764	Nut, M6 Hex Nylock x 6mm Thick	1
3	503650	*Screw; S/Tapping #12x11/16"	2	30	983246	Axle Assy, Front 150mm Thrd	1
4	564275	Spring- Flap, STL 18"/20"	1	31	580030	Bush- Pivot, Axle	2
5	580007	Wire- Flap, Pivot 6x347	1	32	551212	Bearing- Wheel, Ball Type	2
10	779498	<b>Hsg Assy- Ali 18" RR SP TTNM</b>	1	33	579195	<b>Wheel Assy- 150mm Spkd Slv</b>	2
11	957311	*Cover- Side, RH TTNM	1			(Includes 2 x 551212 per wheel)	
12	503272	Rivet- Pop 4.8 x 4.8	2	34	551212	Bearing- Wheel, Ball Type	2
13	567406	Nameplate, Masport B/W	1	35	501606	Washer, Flt 8x19x1.6	2
14	503150	Clip- Starlock, 5 Dia	2	36	503831	Nut, M8 Hex Nyloc 6 Thck	2
15	980564	Plate- Retainer, Front Axle	2	37	579198	Hub Cap, Button Spkd Slv	2
16	501599	Screw, S/T 1/4x5/8 Hex	2	38	957290	Rod Assy, Connecting R/R SP	1
17	957312	Plate- Side, LH	1	39	580621	Spring, Counter Balance SP RR	1
18	957270	Ramp Assy, Grass	1	40	501056	Pin, Cotter 2.3d x 16	2
19	957273	Cover- Chute, Grass	1	41	557301	Cover- Side, LH 18" R/R	1
20	503399	Rivet- Pop 4.8 x 12.7	3	42	503331	Screw, Pan M6 x 16	3
20a	503423	Rivet- Pop 4.8 x 6.4	4	44	583104	Screw, S/T 3/8x1-5/8 UNC TRIBLK	3
21	501040	Nut, M6 Nutsert 9658-0619	4	45	573585	Spacer - Blade Driver 22 x 4	3
22	503223	Screw, Set M6 x 16 HT 8.8	4	46	583542	Spacer Base 10.5 x 22 x 6.0	1
23	500201	Washer, Spg 6	4	47	569037	Ring Safety Black	1
24	501815	Screw, Set M6 x 35	1				

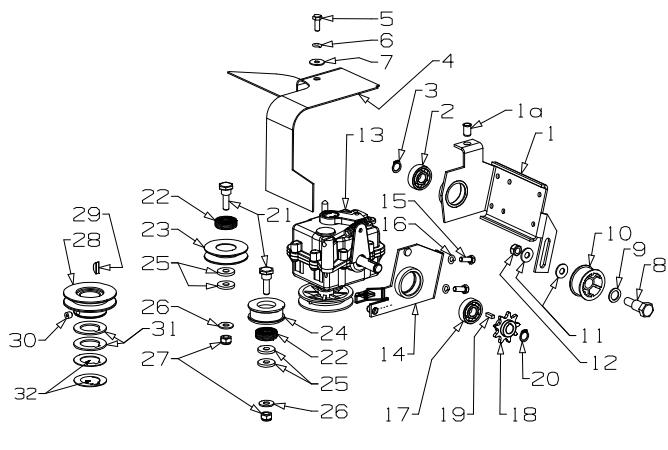
When ordering PLEASE QUOTE PART NUMBER & Description, NOT Illustration No.  
Determine right or left hand side from standing in operating position (standing at handle)  
**Bold Text** = Assemblies, **Bulleted Text** \* = Items included in the Assemblies



Rotarola AL SP  
Powered by: Honda GCV 160E

# Masport

Issue B.0  
ECN 03013  
Aug 2015 BH  
REF # 757945S

				Item No	Part No	Description	Qty
<b>1</b>	<b>557279</b>	<b>Gearbox- Support Assy, RH</b>	<b>1</b>	<b>10</b>	<b>557067</b>	<b>Pulley- Tensioner</b>	<b>1</b>
<b>1a</b>	<b>501040</b>	<b>Nut, M6 Nutsert</b>	<b>1</b>	<b>11</b>	<b>501606</b>	<b>Washer, FLT 8 x 19 x 1.6</b>	<b>2</b>
<b>2</b>	<b>501213</b>	<b>Brg, Ball 12x32x10 6201 2RS</b>	<b>1</b>	<b>12</b>	<b>501793</b>	<b>Nut, M8 Hex Nylock 8thck</b>	<b>1</b>
<b>3</b>	<b>503759</b>	<b>Circlip, 12 Ext</b>	<b>1</b>	<b>13</b>	<b>557268</b>	<b>Gearbox-Rotarola</b>	<b>1</b>
<b>4</b>	<b>567146</b>	<b>Cover- Gearbox Ttnm Honda</b>	<b>1</b>	<b>14</b>	<b>557281</b>	<b>Support Assy- Gearbox, LH</b>	<b>1</b>
<b>5</b>	<b>503223</b>	<b>Screw, Set M6x16 HT8.8 Hex</b>	<b>1</b>	<b>15</b>	<b>503223</b>	<b>Screw, Set M6 x 16</b>	<b>2</b>
<b>6</b>	<b>500201</b>	<b>Washer, SPG 6</b>	<b>1</b>	<b>16</b>	<b>500201</b>	<b>Washer, SPG</b>	<b>2</b>
<b>7</b>	<b>501606</b>	<b>Washer, Flt 8 x 19 x 1.6</b>	<b>1</b>	<b>17</b>	<b>501213</b>	<b>Brg, Ball 12x32x10 6201 2RS</b>	<b>1</b>
<b>8</b>	<b>557300</b>	<b>Stud- TensionerPulley</b>	<b>1</b>	<b>18</b>	<b>557306</b>	<b>Sprocket- 9T, G/B Out</b>	<b>1</b>
<b>9</b>	<b>503301</b>	<b>Washer, Flt 1/2x3/4x18G</b>	<b>1</b>	<b>19</b>	<b>503873</b>	<b>Key 4 x 4 x 12</b>	<b>1</b>
				<b>20</b>	<b>503759</b>	<b>Circlip, 12 Ext</b>	<b>1</b>
				<b>21</b>	<b>557317</b>	<b>Stud- Idler Pulley</b>	<b>2</b>
				<b>22</b>	<b>503901</b>	<b>Brg, Ball 12x28x8 6001 2RSH</b>	<b>2</b>
				<b>23</b>	<b>557316</b>	<b>Pulley- V, Idler</b>	<b>1</b>
				<b>24</b>	<b>573382</b>	<b>Pulley- Flat, Idler</b>	<b>1</b>
				<b>25</b>	<b>503872</b>	<b>Washer, Flt 8x20x3.0</b>	<b>4</b>
				<b>26</b>	<b>501606</b>	<b>Washer, FLT 8 x 19 x 1.6</b>	<b>2</b>
				<b>27</b>	<b>501793</b>	<b>Nut, M8 Hex Nylocx 8thck</b>	<b>2</b>
				<b>28</b>	<b>573554</b>	<b>Pulley- Eng 25 x 68 x 28.5</b>	<b>1</b>
				<b>29</b>	<b>500636</b>	<b>Key, Woodruff 5/8x5/32x1/4</b>	<b>1</b>
				<b>30</b>	<b>503386</b>	<b>Screw, Grb M8x8</b>	<b>1</b>
				<b>31</b>	<b>569552</b>	<b>Spacer- Pulley, Eng 25 x 42 x 2</b>	<b>2</b>
				<b>32</b>	<b>573024</b>	<b>Spacer - Pulley Eng 25x42x1</b>	<b>2</b>

Item No	Part No	Description	Qty	Item No	Part No	Description	Qty
<b>51</b>	<b>957276</b>	<b>Roller Assy, Steel 18" RR SP</b>	<b>1</b>	<b>58</b>	<b>581729</b>	<b>Knob- Height Lever MSV</b>	<b>1</b>
<b>52</b>	<b>503820</b>	<b>Brg, Ball 15x35x11 6202NR2RS</b>	<b>2</b>	<b>59</b>	<b>564355</b>	<b>Rod- Height Selector, R/R</b>	<b>1</b>
<b>53</b>	<b>557278</b>	<b>Sprocket- 9T, Driven</b>	<b>1</b>	<b>60</b>	<b>573849</b>	<b>Spring- Leaf, 2mm</b>	<b>1</b>
<b>54</b>	<b>503042</b>	<b>Pin, Tension 4.0x30</b>	<b>1</b>	<b>61</b>	<b>503373</b>	<b>Rivet- F/HD 3/16"x27/64"</b>	<b>3</b>
<b>55</b>	<b>501959</b>	<b>Screw, Set M6x12 Hex</b>	<b>1</b>	<b>62</b>	<b>557055</b>	<b>Bracket- Mounting, Bottom</b>	<b>2</b>
<b>56</b>	<b>503196</b>	<b>Washer, Flt 1/4x0.75x0.049</b>	<b>1</b>	<b>63</b>	<b>557050</b>	<b>Bracket- Mounting, Top</b>	<b>2</b>
<b>57</b>	<b>957254</b>	<b>Frame Assy, Rear 18" SP RR</b>	<b>1</b>	<b>64</b>	<b>503650</b>	<b>Screw, S/Tapping #12 x 11/16"</b>	<b>4</b>
				<b>65</b>	<b>503639</b>	<b>Washer, Ext Tooth Grip 6 ID</b>	<b>4</b>
				<b>66</b>	<b>501597</b>	<b>Screw, Set M8x20 Hex</b>	<b>2</b>
				<b>67</b>	<b>501793</b>	<b>Nut, M8 Nylock x 8mm Thick</b>	<b>4</b>
				<b>68</b>	<b>501598</b>	<b>Screw, Set M8x25 Hex</b>	<b>2</b>
				<b>70</b>	<b>957212</b>	<b>Sprocket Assy- 9 Tooth</b>	<b>1</b>
				<b>71</b>	<b>557307</b>	<b>Sprocket- Intermediate</b>	<b>1</b>
				<b>72</b>	<b>500858</b>	<b>Washer, Flat 1/2 x 1.0 x .062</b>	<b>1</b>
				<b>73</b>	<b>503293</b>	<b>Circlip, 1/2" Ext</b>	<b>1</b>
				<b>74</b>	<b>557209</b>	<b>Cover- Chain, Rotarola</b>	<b>1</b>
				<b>75</b>	<b>503223</b>	<b>Screw, M6 x 16</b>	<b>3</b>

When ordering PLEASE QUOTE PART NUMBER & Description, NOT Illustration No.  
Determine right or left hand side from standing in operating position (standing at handle)  
**Bold Text** = Assemblies, **Bulleted Text** \* = Items included in the Assemblies