

Masport[®]

EXPORT ROTARY MOWERS

SERIES 18

Part Number
482949

Model
S18 575 AL SP 3'n1

Engine
B&S Series 675EXi

Month and Year of First Manufacture - Sept 2015

Starting Serial Number < 7963000



Issue A.0
ECN 03087
Sept 2015 PB
REF # 782949S

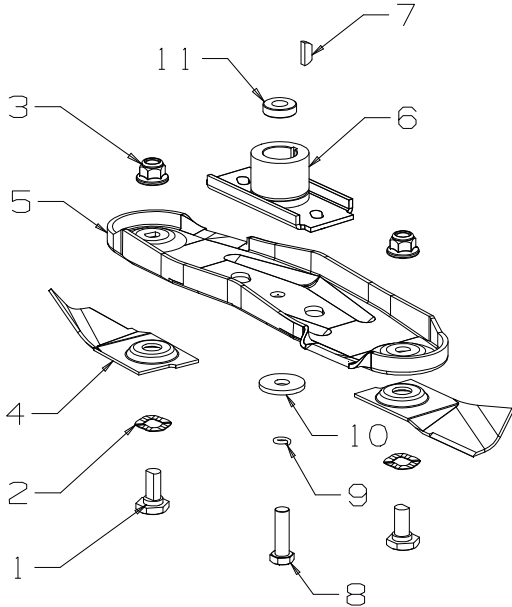


S18 575 AL SP 3'n1
 Powered by:
 B&S Ser 675EXI

Masport

Issue A.0
 ECN 03087
 Sept 2015 PB
 REF # 782949S

460mm Blade Assembly



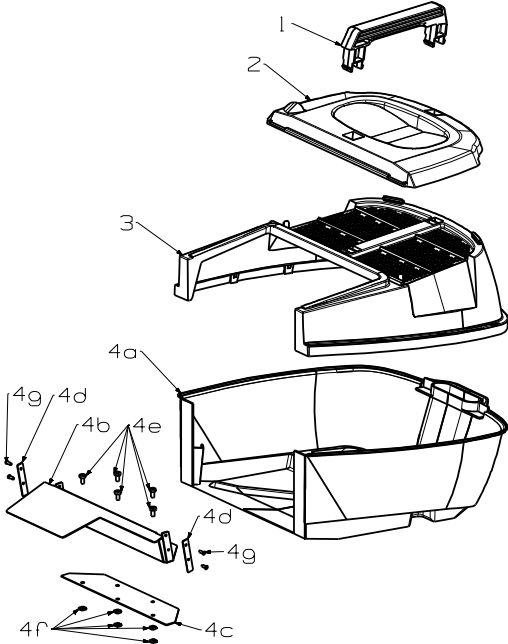
Item No	Part No	Description	Qty Req'd
1	581707	Bolt-Blade	2
2	580693	Washer, Wavy 13.4 x 24.2	2
3	503672	Nut, Flange Nyloc M10	2
4	583049	Blade, Quick Cut - 460mm	2
5	980653	Carrier- Blade, QuickCut	1
6	031640	Driver Assy-Blade - 25mm Shaft	1
7	503363	Key, Woodruff-5/8" x 3/16" x 1/4"	1
8	503543	Screw, Set NF 3/8" x 1.5 NYG8	1
9	500204	Washer, Spring 3/8"	1
10	503667	Washer, Flat 9.75 x 30 x 3.0	1
11	573585	Spacer- Blade Driver 22 x 4.0	1

460mm Blade & Fasteners (2 per)

- 783690 Bolt Set, Inc Items 2 x 1, 2, 3
- 783049 Blade & Bolt Pack, Inc Items 2 x 1, 2, 3, 4

767058 Plastic Catcher Assembly 18"

(Includes all 10 items 1 ~ 4g)



Item No	Part No	Description	Qty Req'd
1	579119	Handle-Catcher	1
2	579120	Lid-Catcher	1
3	579117	Top-Catcher	1
4a	567057	Ctchr-Btm, 18"SP Brand/Grey	1
4b	573133	Lip- Catcher, 18"	1
4c	582222	Lip- Catcher, Backing Plate	1
4d	582223	Plate- Rivet, Ctchr Backing	2
4e	503591	Screw, Pan M6 x 12	5
4f	502098	Nut, M6 Square, Pressed	5
4g	501303	Rivet- Pop 4.0 x 7.9 73AS5-5	4

767057 Catcher Assy- Bottom Only

(Includes 7 items 4a ~ 4g)

NOT ILLUSTRATED

503054	Tie- Nylon Cable, Black	3	571100	Decal, "Power Drive"	1
564101	Decal, Flap- Smart Chute	1	573198	Decal, HSG "Self Propelled"	1
567545	Decal, HSG "NON RUST ALLOY"	1	579161	Decal, HSG S18 575	1
569324	Owners Manual	1	581180	Instructions- Catcher	1
569365	Certificate of Conformity	1	581208	Decal- Height Gen/Combo	1

When ordering PLEASE QUOTE PART NUMBER & Description, NOT Illustration No.

Determine right or left hand side from standing in operating position (standing at handle).

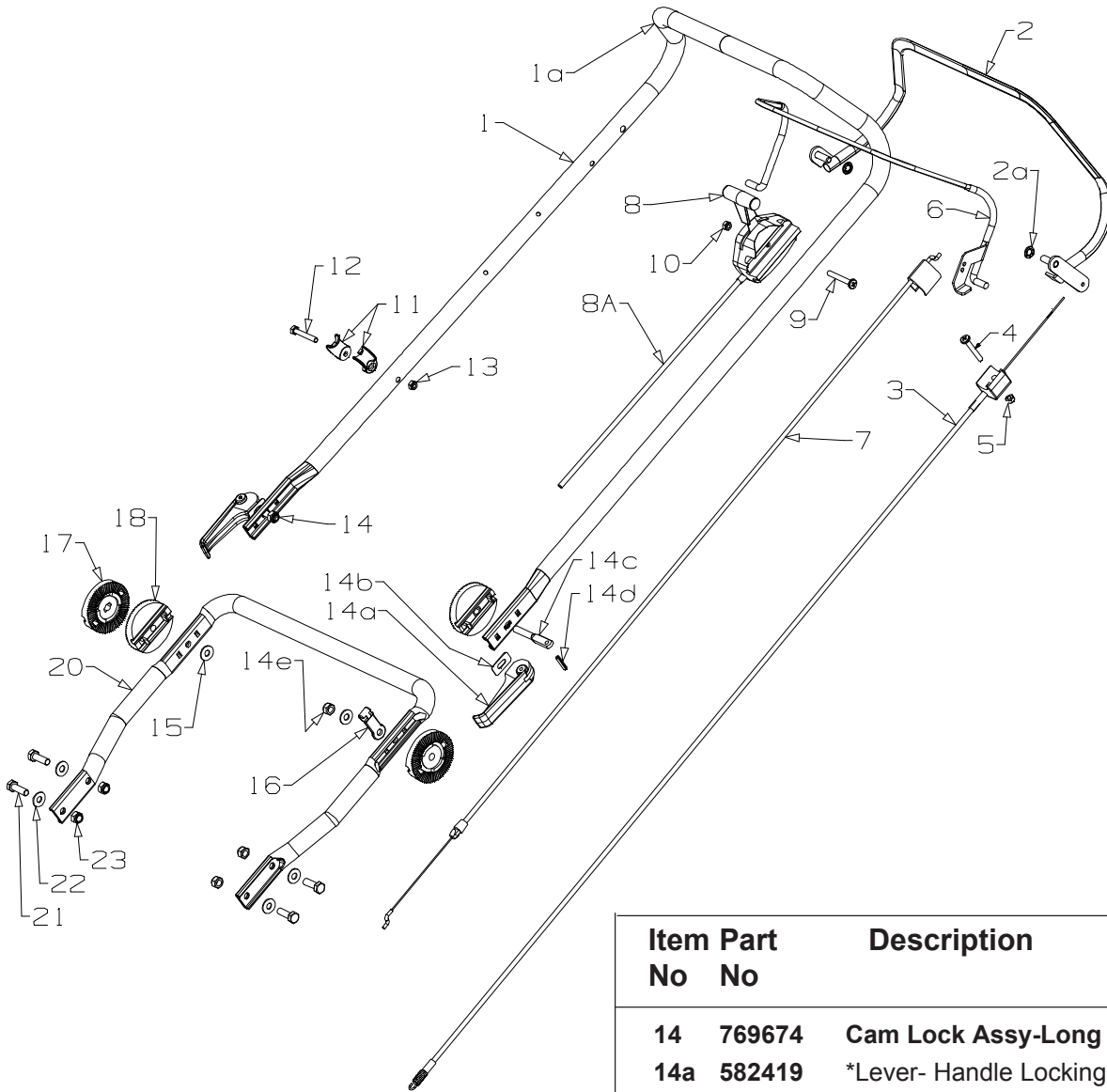
Bold Text = Assemblies, Bulleted Text * = Items included in the Assemblies & may not be available as a spares item.



S18 575 AL SP 3'n1
 Powered by:
 B&S Ser 675EXI

Masport

Issue A.0
 ECN 03087
 Sept 2015 PB
 REF # 782949S



Item No	Part No	Description	Qty Req'd
14	769674	Cam Lock Assy-Long (1 per)	2
14a	582419	*Lever- Handle Locking, MSV	1
14b	016777	*Washer, Slipper, S/S	1
14c	569674	*Stud- Handle Lock, 72mm	1
14d	503369	*Pin, Tension 5.0 x 22	1
14e	501793	*Nut, M8 Hex Nylock x 8mm Thick	1
15	501606	Washer, Flt 8x19x1.6	2
16	581527	Retainer- Clutch Cable	1
17	569673	Disc- Locking, Outer Thick	2
18	569770	Disc- Locking, Inner Thick	2
20	981712	Handle- Lower, "U" Adj 18"	1
21	501598	Screw, Set M8x25 Hex	4
22	501606	Washer, Flt 8x19x1.6	4
23	501793	Nut, M8 Nylock 8 Thck	4

Item No	Part No	Description	Qty Req'd
1/1a	781664	Handle & Sleeve, ADJ Black	1
2	982161	Bail Arm Assy, SP	1
2a	501365	Clip- Starlock, 5/16"	2
3	582235	Cable- Clutch, Thumb Wheel	1
4	503604	Screw, Pan M6x45 Poz ZP	1
5	501764	Nut, M6 Nylocx 6 Thck	1
6	981740	Bail Arm Assy, OPC Flatnd	1
7	581656	Cable- Engine, OPC Push On	1
8/8a	583460	Throttle Ctrl & Cable -VE CH"T"	1
9	503508	*Screw, Pan M6x55 Poz ZP	1
10	501764	*Nut, M6 Nylocx 6 Thck	1
11	703856	Comfort Start Kit	1
12	503794	*Screw, Set M6x40 Hex	1
13	501764	*Nut, M6 Nylocx 6 Thck	1

When ordering PLEASE QUOTE PART NUMBER & Description, NOT Illustration No.
 Determine right or left hand side from standing in operating position (standing at handle).

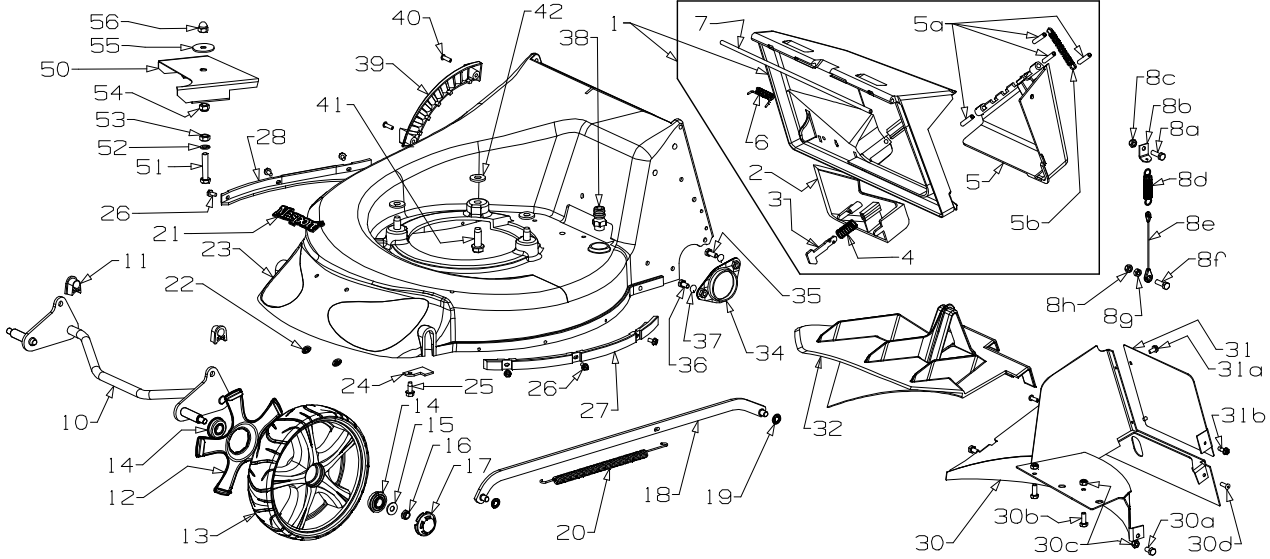
Bold Text = Assemblies, Bulleted Text * = Items included in the Assemblies & may not be available as a spares item.



S18 575 AL SP 3'n1
 Powered by:
 B&S Ser 675EXi

Masport

Issue A.0
 ECN 03087
 Sept 2015 PB
 REF # 782949S



Item No	Part No	Description	Qty Req'd	Item No	Part No	Description	Qty Req'd
	1	767059 Flap Assy-S/Chute (W/Out Cable)	1	23	769117 Hsg Assy-Alt MSV18" TTNM		1
	2	581647 *Handle-Flap,Side Discharge	1	24	980564 *Plate Retainer- Axle		2
	3	981650 *Latch- Flap, Barbed	1	25	501599 *Screw, S/T 1/4"x5/8" Hex		2
	4	581106 *Spring- Flap, Latch	1	26	503630 *Screw, S/T 10 x .4 Black		6
	5	971095 *Flap-Door Side, Red	1	27	973839 *Deflector-Air, LH(Ser 2)		1
	5a	581676 *Pin, Tension 6.0 x 35	4	28	581525 *Deflector-Air, RH		1
	5b	581648 *Spring-Flap,Side Discharge	1	30	571089 *Tunnel Assy- 18" Ser 2 Blk		1
	6	581528 *Spring-Flap,ALI	1	30a	501959 *Screw- Set, M6 x 12		2
	7	581743 *Wire-Flap Pivot 6mm x 352mm	1	30b	501702 *Screw- Set, M6 x 16		2
	8a	501959 Set Screw, M6 x 12 Hex	1	30c	501764 *Nut- Nyloc, M6		4
	8b	569732 Bracket- Smart Chute	1	30d	503200 *Rivet- Pop 4.8x13		2
	8c	501764 Nut, M6 Hex Nyloc x 6mm thick	1	31	573359 *Tunnel- Gbox Cover 18" Black		1
	8d	580268 Spring- Pedal	1	31a	503630 *Screw, S/T 10 x .4 Black		2
	8e	569731 Cable- Smart Chute	1	31b	503489 *Set Screw, M5 x 16 TAP/C		1
	8f	501600 Screw, Set M6 x 20 Hex	1	32	573112 Insert- Mulching, 18" ALI SP		1
	8g	501682 Nut, M6 Hex (plain)	1	34	581178 Retainer-Axle, Rear 600SP		2
	8h	501764 Nut, M6 Hex Nyloc x 6mm thick	1	35	501702 Set Screw, M6 x 16 Hex		3
	10	983281 Axle-Front, 200mm	1	36	501959 Set Screw, M6 x 12 Hex		1
	11	580030 Bush-Pivot, Front Axle	2	37	500201 Washer, Spring 6		4
	12	579205 Cover- Inner Wheel, Silver	2	38	503783 Cyclowash- Fitting		1
	13	573706 Wheel Assy-200mm Mag Slvr (Includes 2 x 551212 per wheel)	2	39	580025 Quadrant- Height Selector		1
	14	551212 Bearing- Wheel, Ball Type	4	40	503660 Rivet- Pop 4.8 x 9		2
	15	501606 Washer, Flat 8 x 19 x 1.6	2	41	580453 Screw, S/T 3/ 8" x 1-1/8" UNC		3
	16	503831 Nut- Nyloc, M8	2	42	573585 Spacer- Blade Driver		3
	17	579204 Hub Cap- Button, Mag Slvr	2	50	979080 Cover-Belt, 18" SP TTNM		1
	18	981170 Rod Assy-Connecting, 600SP	1	51	501843 Set Screw, M8 x 40 Hex		1
	19	501365 Clip-Starlock, 5/16"	2	52	503747 Washer, Spg 8		1
	20	573844 Spring-Counter Balance	1	53	501602 Nut, M8 Hex		1
	21	567406 Nameplate MASPORT	1	54	501793 Nut, M8 Hex Nyloc		1
	22	503150 Clip- Starlock, 5 mm dia	2	55	501606 Washer, Flt 8 x 19 x 1.6		1
				56	503526 Nut, M8 Hex Dome C/Plated		1

When ordering PLEASE QUOTE PART NUMBER & Description, NOT Illustration No.
 Determine right or left hand side from standing in operating position (standing at handle).

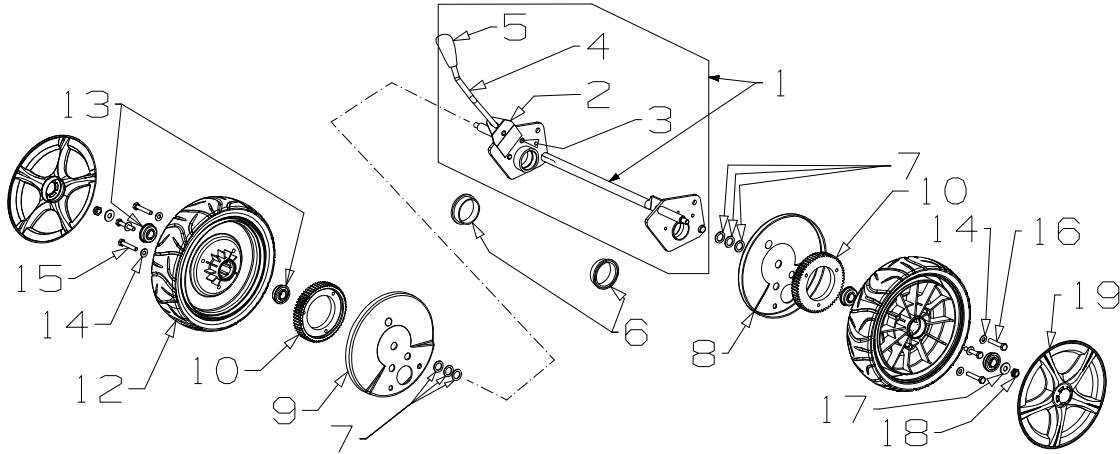
Bold Text = Assemblies, Bulleted Text * = Items included in the Assemblies & may not be available as a spares item.



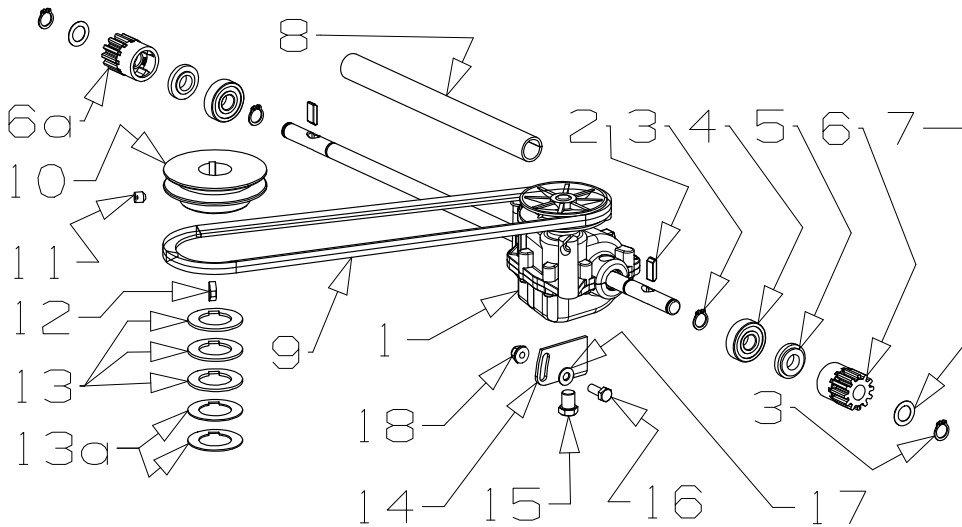
S18 575 AL SP 3'n1
 Powered by:
 B&S Ser 675EXi

Masport

Issue A.0
 ECN 03087
 Sept 2015 PB
 REF # 782949S



Item No	Part No	Description	Qty Req'd	Item No	Part No	Description	Qty Req'd
1	767248	Axle Assy- Rear Drive, Flt SP	1	10	569180	Gear, Driving 45 Teeth	2
2	580649	*Spring, Leaf	1	12	579070	Wheel Assy-220mm BB MSV SP	2
3	503373	*Rivet- F/HD 3/16x27/64	3			(Includes 2 x 551212 per wheel)	
4	973681	*Rod- Height Selector	1	13	551212	Bearing Wheel Ball Type	4
5	581729	*Knob- Height Lever	1	14	501703	Washer, Flat 6x14x1.2	6
6	580091	Bush- Pivot, Rear Axle	2	15	501815	Screw, Set M6x35	6
7	503301	Washer, Flt 1/2x3/4x18	6	17	501606	Washer, Flat 8x19x1.6	2
8	579427	Dust, Cover LH Maxic SP	1	18	503831	Nut, M8 Nyloc 6 Thck	2
9	579426	Dust, Cover RH + LH MSV SP	1	19	579207	Hub Cap, 220mm MSV SP Silver	2



Item No	Part No	Description	Qty	Item No	Part No	Description	Qty
1	567116	Gearbox- Single Speed Dog Clutch	1	10	573735	Pulley- Engine, 25bx79dx26.5h	1
2	581092	Pawl, Pinion 950 SP	2	11	503386	Screw, Grub M8x8	1
3	503759	Circlip, 12 EXT DIN 471	4	12	503363	Key- W/Ruff 5/8x3/16x1/4	1
4	501213	Bearing, 12x32x10 6201 2RS	2	13	569552	Spacer- Pulley, Eng 25 x 42 x 2	3
5	581093	Cap, Pinion 950 SP Plastic	2	13a	573024	Spacer- Pulley, Eng 25 x 42 x 1	2
6	569178	Pinion, LH 12 Teeth	1	14	567175	Mount- Gearbox, Dog Clutch	1
6a	569179	Pinion, RH 12 Teeth	1	15	503955	Set Screw, M10 x 12	1
7	503102	Washer, Flat 12x20x0.4	2	16	501702	Screw, Set M6x16	1
8	580614	Sleeve, Rear Axle MSV SP	1	17	501703	Washer, Flat 6x14x1.2	1
9	557257	Belt-V HC VEXTRA XPZ 800 Gates	1	18	503973	Nut, M6 Nyloc Flange	1

When ordering PLEASE QUOTE PART NUMBER & Description, NOT Illustration No.

Determine right or left hand side from standing in operating position (standing at handle).

Bold Text = Assemblies, Bulleted Text * = Items included in the Assemblies & may not be available as a spares item.