

Masport[®]

EXPORT ROTARY MOWERS

SERIES 18

Part Number
457950

Model
S18 AL Rotarola SP

Engine
B&S Series 675EXi

Month and Year of First Manufacture - Oct 2015

Starting Serial Number > 7976596



*Issue B.1
ECN 03209
Feb 2016 PB
REF # 757950S*

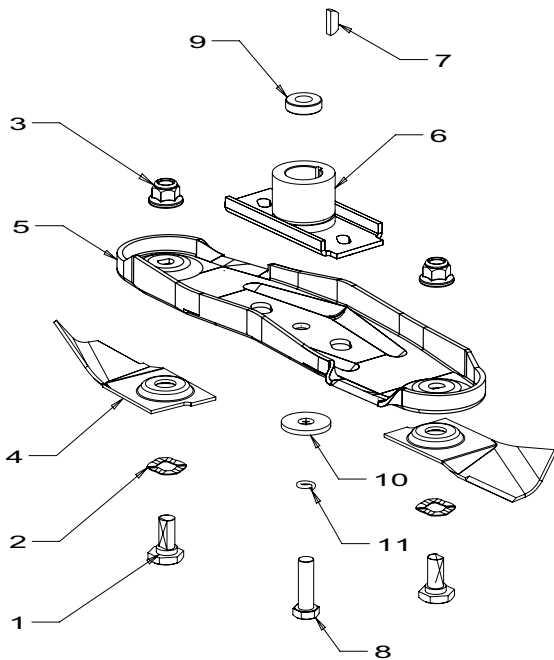


Rotarola AL SP
Powered by:
B&S Ser 675EXi

Masport

Issue B.1
ECN 03209
Feb 2016 PB
REF # 757950S

460mm QuickCut Blade Assembly



Item No	Part No	Description	Qty Req'd
1	581707	Bolt-PivotM10x22	2
2	580693	Washer, Wavy 13.4x24.2x5.1	2
3	503672	Nut, M10 Hex Nyloc Flange	2
4	980658	Blade- QuickCut460mm	2
5	980653	Carrier- Blade, QuickCut	1
6	031640	Driver Assy- 25 mm	1
7	503363	Key- W/ruff 5/8x3/16x1/4	1
8	503543	Bolt; Set NF 3/8x1.5 NYG8	1
9	573585	Spacer Blade Driver 22 x 4	1
10	503667	Washer, Flt 9.75x30x3.0	1
11	500204	Washer, Spring 3/8"	1

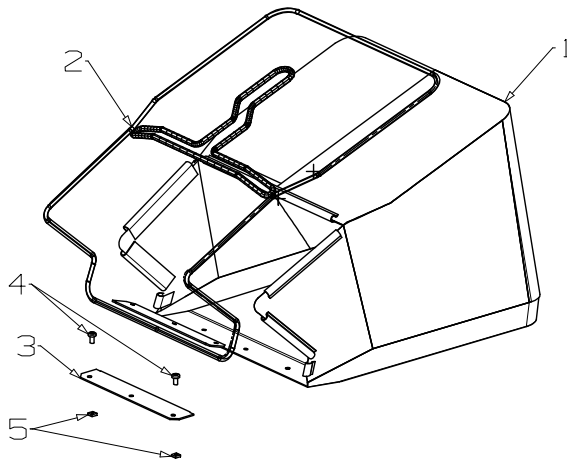
460mm Blade & Fasteners (2 per)

783690	Bolt Set, Inc Items 2 x 1, 2, 3
780658	Blade & Bolt Pack, Inc Items 2 x 1, 2, 3, 4
783261	Blade Assy 460, Inc Items 5 + 2 x 1, 2, 3, 4

An alternative fastening may be used in this assembly

8 **581610** Screw, Set NF 3/8 x 1.25 NYG8 1

957168 Catcher Assembly Fabric (Includes items 1 ~ 5)



Item No	Part No	Description	Qty Req'd
1	557263	Bag Assy- Catcher, RR	1
2	557092	Frame Assy- Catcher, RR	1
3	557388	Plate- Catcher, Bag RR	1
4	503591	Screw, Pan M6x12	2
5	502098	Nut, M6 Squ Pressed	2

NOT ILLUSTRATED

503054	Tie- Nylon Cable	4	573810	Belt- V No. 6731 3L-787 Gates	1
557336	Certificate of Conformity	1	557210	Chain, 3/16 x P 1/2, 22P	1
557376	Decal, HSG Rotarola	1	557308	Chain, 3/16 x P 1/2, 35P	1
569324	Owners Manual	1			
571100	Decal, Power Drive	1			
573198	Decal, HSG "Self Propelled"	1			
580778	Stop-Rope	1			
582049	Decal, Flap Caution	1			

When ordering PLEASE QUOTE PART NUMBER & Description, NOT Illustration No.
Determine right or left hand side from standing in operating position (standing at handle).

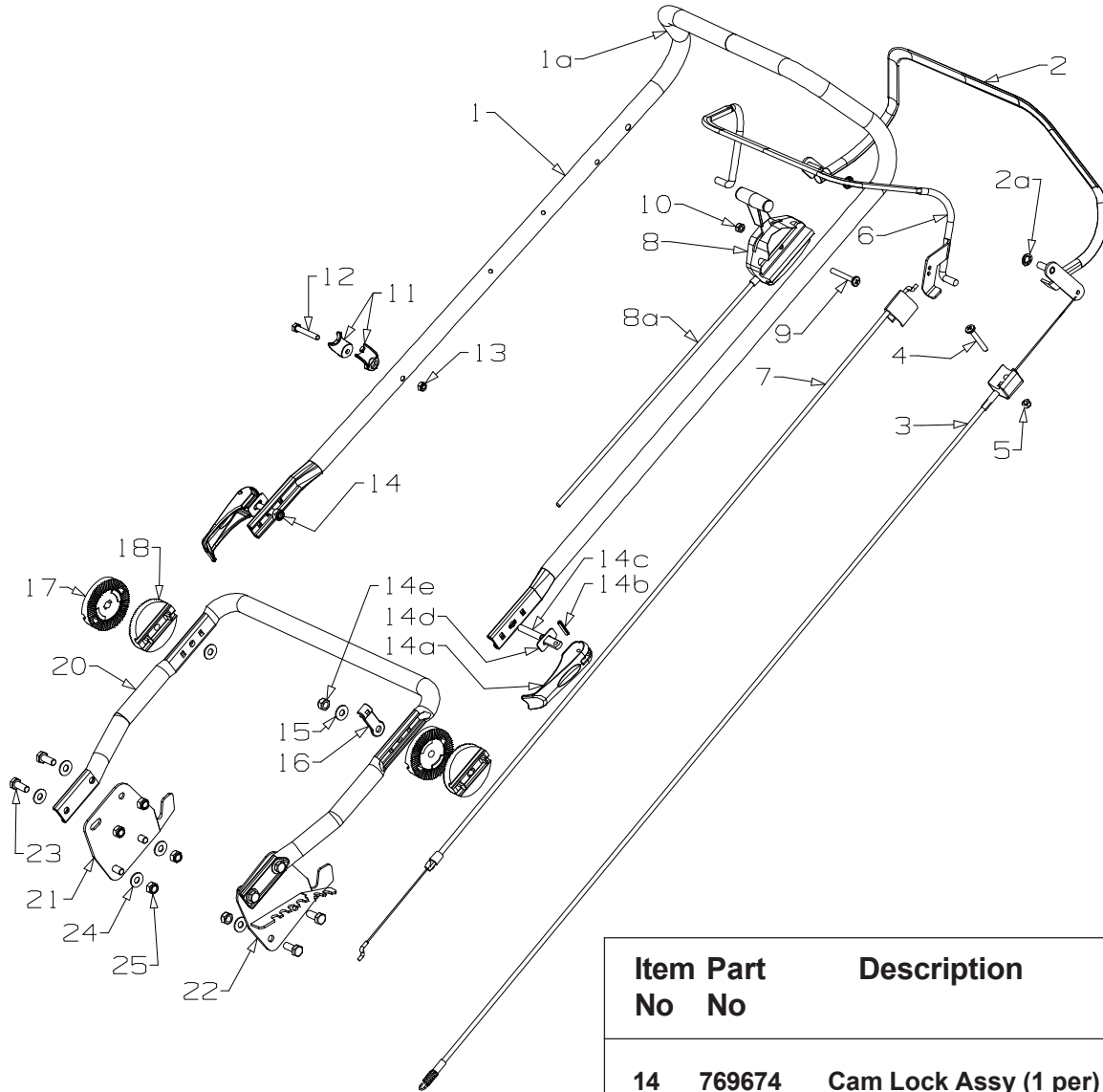
Bold Text = Assemblies, **Bulleted Text** * = Items included in the Assemblies & may not be available as a spares item.



Rotarola AL SP
 Powered by:
 B&S Ser 675EXi

Masport

Issue B.1
 ECN 03209
 Feb 2016 PB
 REF # 757950S



Item No	Part No	Description	Qty Req'd
14	769674	Cam Lock Assy (1 per)	2
14a	582419	*Lever- Handle Locking, MSV	1
14b	503369	*Pin, Tension 5.0 x 22	1
14c	016777	*Washer, Slipper, S/S	1
14d	569674	*Stud- Handle Lock, 72mm	1
14e	501793	*Nut, M8 Hex Nylock x 8mm Thick	1
15	501606	Washer, Flt 8x19x1.6	2
16	581527	Retainer- Clutch Cable	1
17	569673	Disc- Locking, Outer	2
18	569770	Disc- Locking, Inner	2
20	981712	Handle- Lower, "U" Adj 18"	1
21	981643	Plate- Side, RH Blk	1
22	981644	Plate- Side, LH Blk	1
23	501597	Screw, Set M8x20 Hex	8
24	501606	Washer, Flt 8x19x1.6	8
25	501793	Nut, M8 Nylockx 8 Thck	8

Item No	Part No	Description	Qty Req'd
1/1a	773721	Handle & Sleeve, Upt, OPC SP	1
2	982161	Bail Arm Assy, SP	1
2a	501365	Clip- Starlock, 5/16"	2
3	582235	Cable- Clutch, Thumb Wheel	1
4	503604	Screw, Pan M6x45 Poz ZP	1
5	501764	Nut, M6 Nylocx 6 Thck	1
6	981740	Bail Arm Assy, OPC Flatnd	1
7	582523	Cable- Engine, OPC Push On	1
8/8a	583460	Throttle Ctrl & Cable -VE CH"T"	1
9	503508	*Screw, Pan M6x55 Poz ZP	1
10	501764	*Nut, M6 Nylocx 6 Thck	1
11	703856	Comfort Start Kit	1
12	503794	*Screw, Set M6 x 40 Hex	1
13	501764	*Nut, M6 Nylocx 6 Thck	1

When ordering PLEASE QUOTE PART NUMBER & Description, NOT Illustration No.
 Determine right or left hand side from standing in operating position (standing at handle).

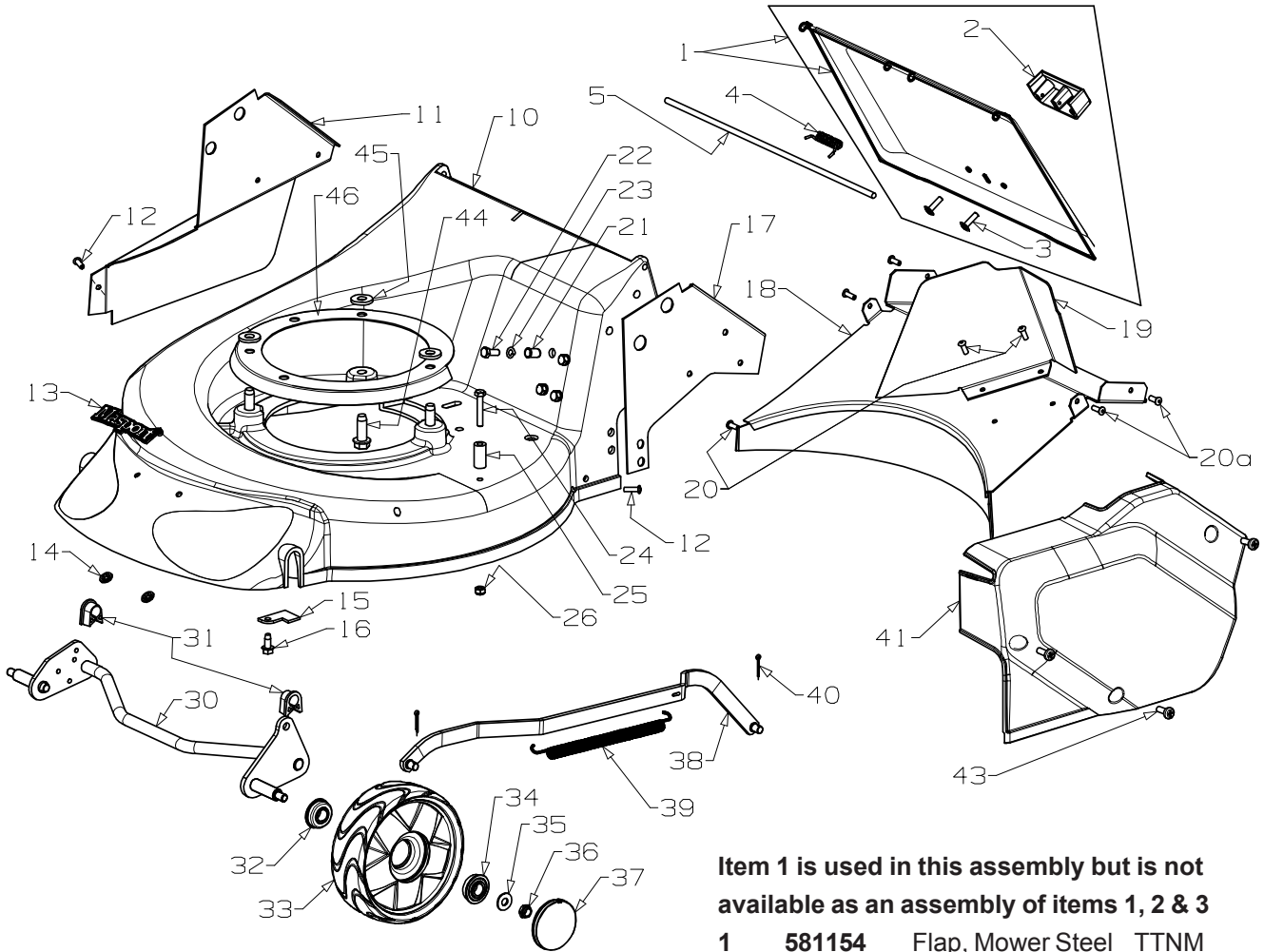
Bold Text = Assemblies, Bulleted Text * = Items included in the Assemblies & may not be available as a spares item.



Rotarola AL SP
 Powered by:
 B&S Ser 675EXi

Masport

Issue B.1
 ECN 03209
 Feb 2016 PB
 REF # 757950S



Item 1 is used in this assembly but is not available as an assembly of items 1, 2 & 3

1 581154 Flap, Mower Steel TTNM 1

Item No	Part No	Description	Qty	Item No	Part No	Description	Qty
1	781477	Flap, Mower Steel "Black"	1	24	501815	Screw, Set M6 x 35	1
2	580602	*Handle- Flap	1	25	503874	Bush X-Lube 1/4" x 1/2" x 1"	1
3	503650	*Screw; S/Tapping #12x11/16"	2	26	501764	Nut, M6 Hex Nylock x 6mm Thick	1
4	564275	Spring- Flap, STL 18"/20"	1	30	983246	Axle Assy, Front 150mm Thrd	1
5	580007	Wire- Flap, Pivot 6x347	1	31	580030	Bush- Pivot, Axle	2
10	769493	Hsg Assy- Ali 18" RR SP TTNM	1	32	551212	Bearing- Wheel, Ball Type	2
11	957311	*Cover- Side, RH TTNM	1	33	579195	Wheel Assy- 150mm Spkd Slv	2
12	503272	*Rivet- Pop 4.8 x 4.8	2			(Includes 2 x 551212 per wheel)	
13	567406	Nameplate, Masport B/W	1	34	551212	Bearing- Wheel, Ball Type	2
14	503150	Clip- Starlock, 5 Dia	2	35	501606	Washer, Flt 8x19x1.6	2
15	980564	Plate- Retainer, Front Axle	2	36	503831	Nut, M8 Hex Nyloc 6 Thck	2
16	501599	Screw, S/T 1/4x5/8 Hex	2	37	579198	Hub Cap, Button Spkd Slv	2
17	957312	Plate- Side, LH	1	38	957290	Rod Assy, Connecting R/R SP	1
18	957270	Ramp Assy, Grass	1	39	580621	Spring, Counter Balance SP RR	1
19	957273	Cover- Chute, Grass	1	40	501056	Pin, Cotter 2.3d x 16	2
20	503399	Rivet- Pop 4.8 x 12.7	3	41	557301	Cover- Side, LH 18" R/R	1
20a	503423	Rivet- Pop 4.8 x 6.4	4	43	503331	Screw, Pan M6 x 16	3
21	501040	Nut, M6 Nutsert 9658-0619	4	44	583104	Screw, S/T 3/8x1-5/8 UNCTRIBLK	3
22	503223	Screw, Set M6 x 16 HT 8.8	4	45	573585	Spacer Blade Driver 22 x 4	3
23	500201	Washer, Spg 6	4	46	569037	Ring- Safety, Black	1

When ordering PLEASE QUOTE PART NUMBER & Description, NOT Illustration No.

Determine right or left hand side from standing in operating position (standing at handle).

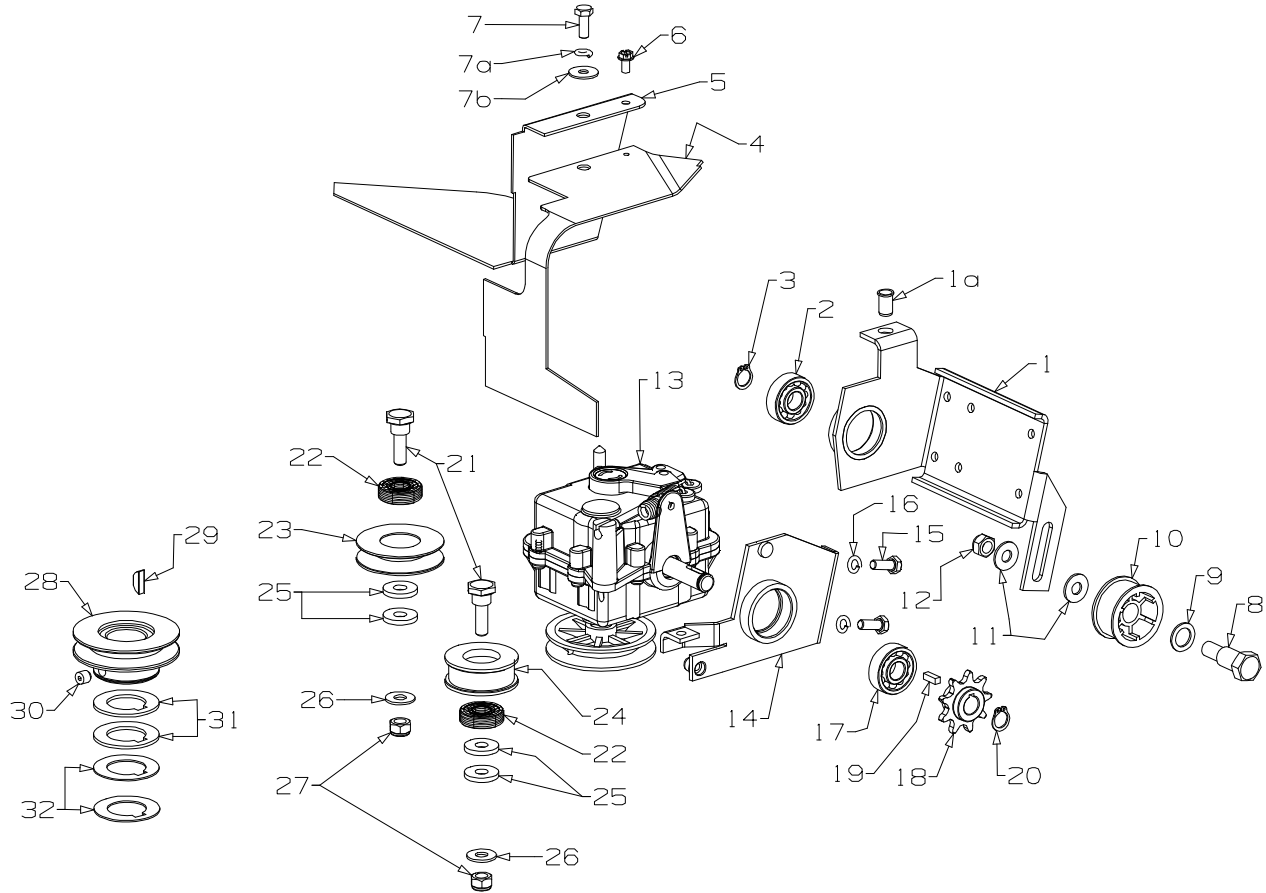
Bold Text = Assemblies, Bulleted Text * = Items included in the Assemblies & may not be available as a spares item.



Rotarola AL SP
Powered by:
B&S Ser 675EXi

Masport

Issue B.1
ECN 03209
Feb 2016 PB
REF # 757950S



Item No	Part No	Description	Qty Req'd	Item No	Part No	Description	Qty Req'd
	1	957279 Gearbox- Support Assy, RH	1	15	503223	Screw, Set M6 x 16	2
	1a	501040 *Nut, M6 Nutsert	1	16	500201	Washer, SPG	2
	2	501213 Brg, Ball 12x32x10 6201 2RS	1	17	501213	Brg, Ball 12x32x10 6201 2RS	1
	3	503759 Circlip, 12 Ext	1	18	557306	Sprocket- 9T, G/B Out	1
	4	974393 Cover- Gearbox , RR Outer Ttnm	1	19	503873	Key 4 x 4 x 12	1
	5	974392 Cover- Gearbox , RR Inner Ttnm	1	20	503759	Circlip, 12 Ext	1
	6	503630 Screw, S/T 10 x .4	1	21	557317	Stud- Idler Pulley	2
	7	503223 Screw, Set M6x16 HT8.8 Hex	1	22	503901	Brg, Ball 12x28x8 6001 2RSH	2
	7a	500201 Washer, SPG 6	1	23	557316	Pulley- V, Idler	1
	7b	503196 Washer, Flt 1/4 x .75 x .049	1	24	573382	Pulley- Flat, Idler	1
	8	557300 Stud - Tensioner Pulley	1	25	503872	Washer, Flt 8x20x3.0	4
	9	503301 Washer; Flt 1/2 x 3/4 x 18G	1	26	501606	Washer, FLT 8 x 19 x 1.6	2
	10	557067 Pulley- Tensioner	1	27	501793	Nut, M8 Hex Nylocx 8thck	2
	11	501606 Washer, FLT 8 x 19 x 1.6	2	28	573554	Pulley- Eng 25 x 68 x 28.5	1
	12	501793 Nut, M8 Hex Nylock 8thck	1	29	503363	Key, Woodruff 5/8x3/16x1/4	1
	13	557268 Gearbox- Rotarola	1	30	503386	Screw, Grb M8x8	1
	14	957281 Support Assy- Gearbox, LH	1	31	569552	Spacer- Pulley, Eng 25 x 42 x 2	2
				32	573024	Spacer - Pulley Eng 25x42x1	2

When ordering PLEASE QUOTE PART NUMBER & Description, NOT Illustration No.
Determine right or left hand side from standing in operating position (standing at handle).

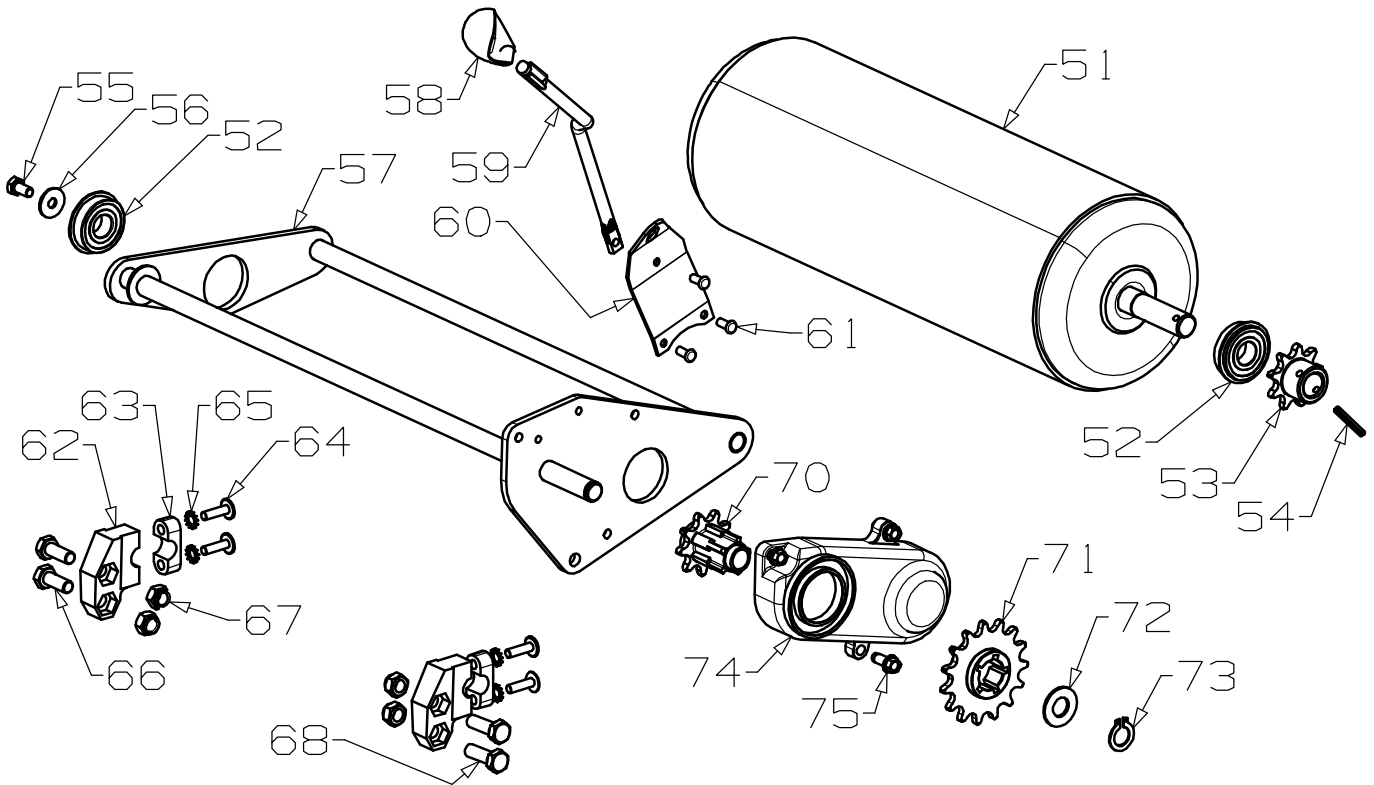
Bold Text = Assemblies, Bulleted Text * = Items included in the Assemblies & may not be available as a spares item.



Rotarola AL SP
 Powered by:
 B&S Ser 675EXi

Masport

Issue B.1
 ECN 03209
 Feb 2016 PB
 REF # 757950S



Item No	Part No	Description	Qty Req'd	Item No	Part No	Description	Qty Req'd
51	957276	Roller Assy, Steel 18" RR SP	1	66	501597	Screw, Set M8x20 Hex	2
52	503820	Brg, Ball 15x35x11 6202NR2RS	2	67	501793	Nut, M8 Nylock x 8mm Thick	4
53	557278	Sprocket- 9T, Driven	1	68	501598	Screw, Set M8x25 Hex	2
54	503042	Pin, Tension 4.0x30	1	70	957212	Sprocket Assy- 9 Tooth	1
55	501959	Screw, Set M6x12 Hex	1	71	557307	Sprocket- Intermediate	1
56	503196	Washer, Flt 1/4x0.75x0.049	1	72	500858	Washer, Flat 1/2 x 1.0 x .062	1
57	957254	Frame Assy, Rear 18" SP RR	1	73	503293	Circlip, 1/2" Ext	1
58	581729	Knob- Height Lever MSV	1	74	557209	Cover- Chain, Rotarola	1
59	564355	Rod- Height Selector, R/R	1	75	503223	Screw, M6 x 16	3
60	573849	Spring- Leaf, 2mm	1				
61	503373	Rivet- F/HD 3/16"x27/64"	3				
62	557055	Bracket- Mounting, Bottom	2				
63	557050	Bracket- Mounting, Top	2				
64	503650	Screw, S/Tapping #12 x 11/16"	4				
65	503639	Washer, Ext Tooth Grip 6 ID	4				

When ordering PLEASE QUOTE PART NUMBER & Description, NOT Illustration No.
 Determine right or left hand side from standing in operating position (standing at handle).

Bold Text = Assemblies, **Bulleted Text** * = Items included in the Assemblies & may not be available as a spares item.