

Masport[®]

EXPORT ROTARY MOWERS

SERIES 18

Part Number
457949

Model
S18 AL Rotarola Push

Engine
B&S Series 675EXi

Month and Year of First Manufacture - Mar 2016

Starting Serial Number - 8016917



Issue A.0
ECN 03087
May 2016 PB
REF # 757949S

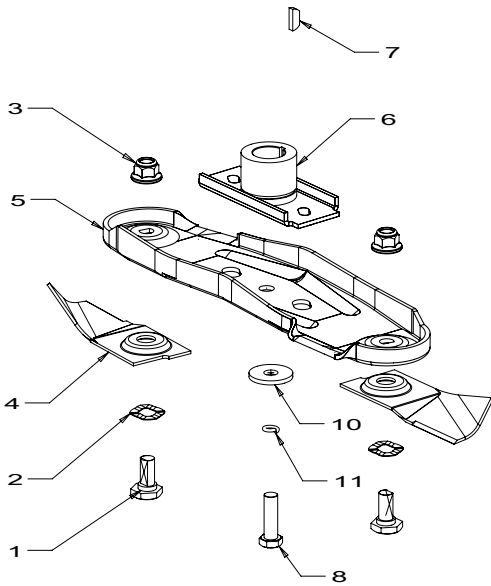


Rotarola AL Push
Powered by:
B&S Ser 675EXi

Masport

Issue A.0
ECN 03087
May 2016 PB
REF # 757949S

460mm QuickCut Blade Assembly



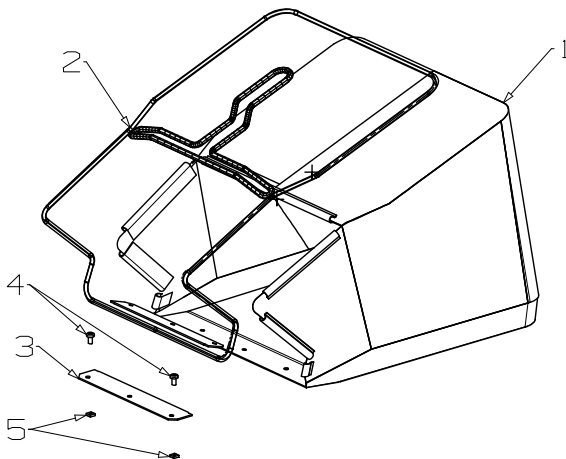
Item No	Part No	Description	Qty Req'd
1	581707	Bolt-Pivot M10x22	2
2	580693	Washer, Wavy 13.4x24.2x5.1	2
3	503672	Nut, M10 Hex Nyloc Flange	2
4	980658	Blade- QuickCut 460mm	2
5	980653	Carrier- Blade, QuickCut	1
6	031640	Driver Assy- 25 mm	1
7	503363	Key- W/ruff 5/8x3/16x1/4	1
8	503543	Bolt; Set NF 3/8x1.5 NYG8	1
10	503667	Washer, Flt 9.75x30x3.0	1
11	500204	Washer, Spring 3/8"	1

783690 Bolt Set, Inc Items 2 x 1, 2, 3
780658 Blade & Bolt Pack, Inc Items 2 x 1, 2, 3, 4
783261 Blade Assy 460, Inc Items 5 + 2 x 1, 2, 3, 4

An alternative fastening may be used in this assembly

8 **581610** Screw, Set NF 3/8 x 1.25 NYG8 1

957168 Catcher Assembly - Fabric



Item No	Part No	Description	Qty Req'd
1	557263	Bag Assy- Catcher, RR	1
2	557092	Frame Assy- Catcher, RR	1
3	557388	Plate- Catcher, Bag RR	1
4	503591	Screw, Pan M6x12	2
5	502098	Nut, M6 Square	2

NOT ILLUSTRATED

503054	Tie- Nylon Cable	2	569324	Owners Manual	1
557335	Certificate of Conformity	1	581413	Decal, Handle-Power Drive	1
557376	Decal, HSG Rotarola	1	580778	Stop- Rope	1
569297	Decal, Date Noise Decal	1	582049	Decal, Flap Caution	1

When ordering PLEASE QUOTE PART NUMBER & Description, NOT Illustration No.
 Determine right or left hand side from standing in operating position (standing at handle).

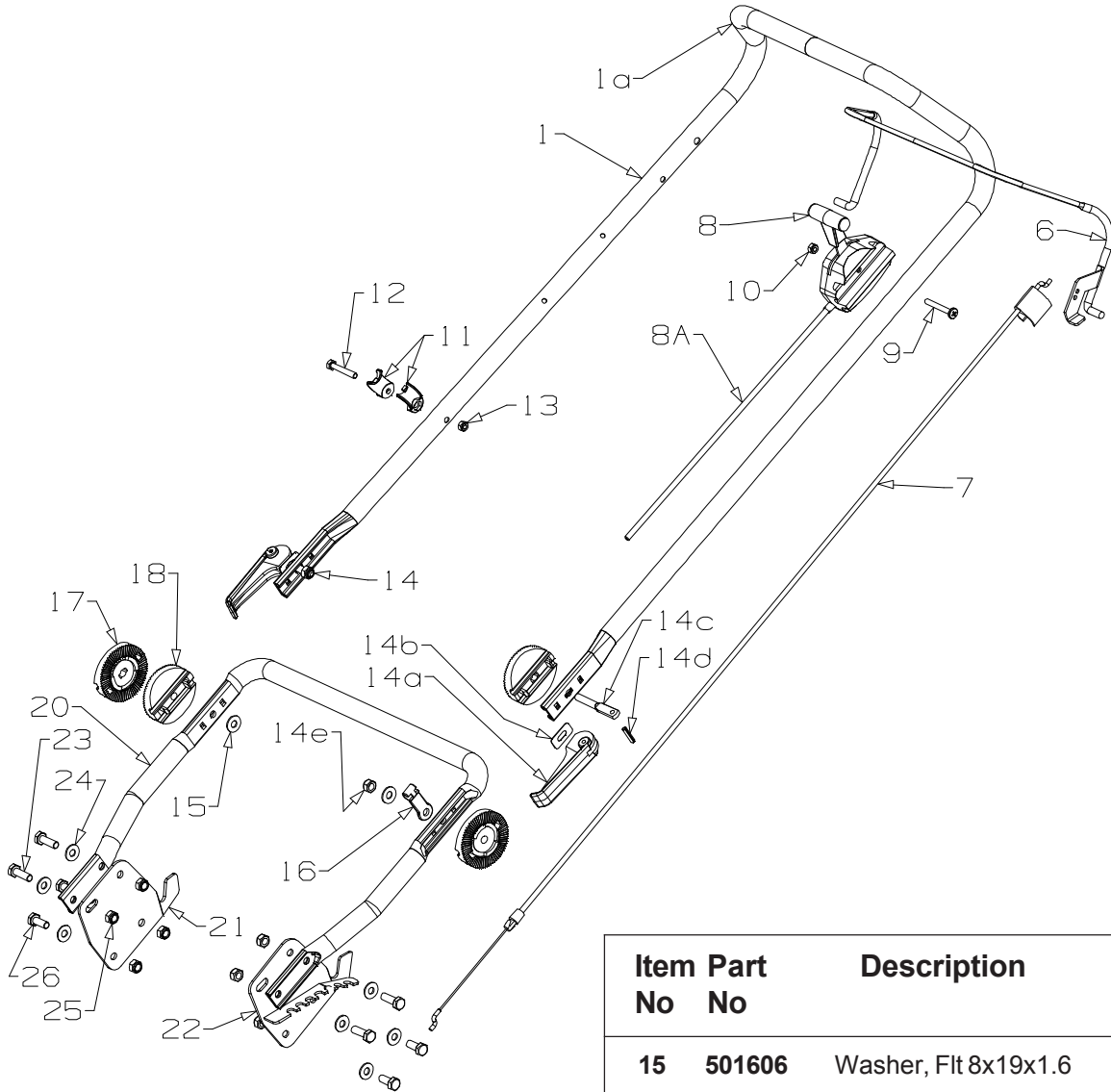
Bold Text = Assemblies, Bulleted Text * = Items included in the Assemblies & may not be available as a spares item.



Rotarola AL Push
 Powered by:
 B&S Ser 675EXi

Masport

Issue A.0
 ECN 03087
 May 2016 PB
 REF # 757949S



Item No	Part No	Description	Qty Req'd
	15	501606 Washer, Flt 8x19x1.6	2
	16	581527 Retainer- Clutch Cable	1
	17	569673 Disc- Locking, Outer	2
	18	569770 Disc- Locking, Inner	2
	20	981712 Handle- Lower, "U" Adj 18"	1
	21	581643 Plate- Side, RH	1
	22	581644 Plate- Side, LH	1
	23	501598 Screw, Set M8x25 Hex	4
	24	501606 Washer, Flt 8x19x1.6	8
	25	501793 Nut, M8 Nylocx 8 Thck	8
	26	501597 Screw, Set M8x20 Hex	4

Item No	Part No	Description	Qty Req'd
	1/1a	781664 Handle Upper, Upt, OPC SP	1
	6	981740 Bail Arm Assy, OPC Flatnd	1
	7	582523 Cable- Engine, OPC Push On	1
	8/8a	583460 Throttle,Cntrl,Capro -VE CH"T"	1
	9	503508 *Screw, Pan M6x55 Poz ZP	1
	10	501764 *Nut, M6 Nylocx 6 Thck	1
	11	706856 Comfort Start Kit	1
	12	503794 *Screw, Set M6 x 40 Hex	1
	13	501764 *Nut, M6 Nylocx 6 Thck	1
	14	769674 Cam Lock Assembly	2
	14a	582419 Lever- Handle Locking, MSV	1
	14b	503369 Pin, Tension 5.0 x 22	1
	14c	016777 Washer, Slipper, S/S	1
	14d	569674 Stud- Handle Lock, 72mm	1
	14e	501793 Nut, M8 Hex Nylock x 8mm Thick	1

When ordering PLEASE QUOTE PART NUMBER & Description, NOT Illustration No.
 Determine right or left hand side from standing in operating position (standing at handle).

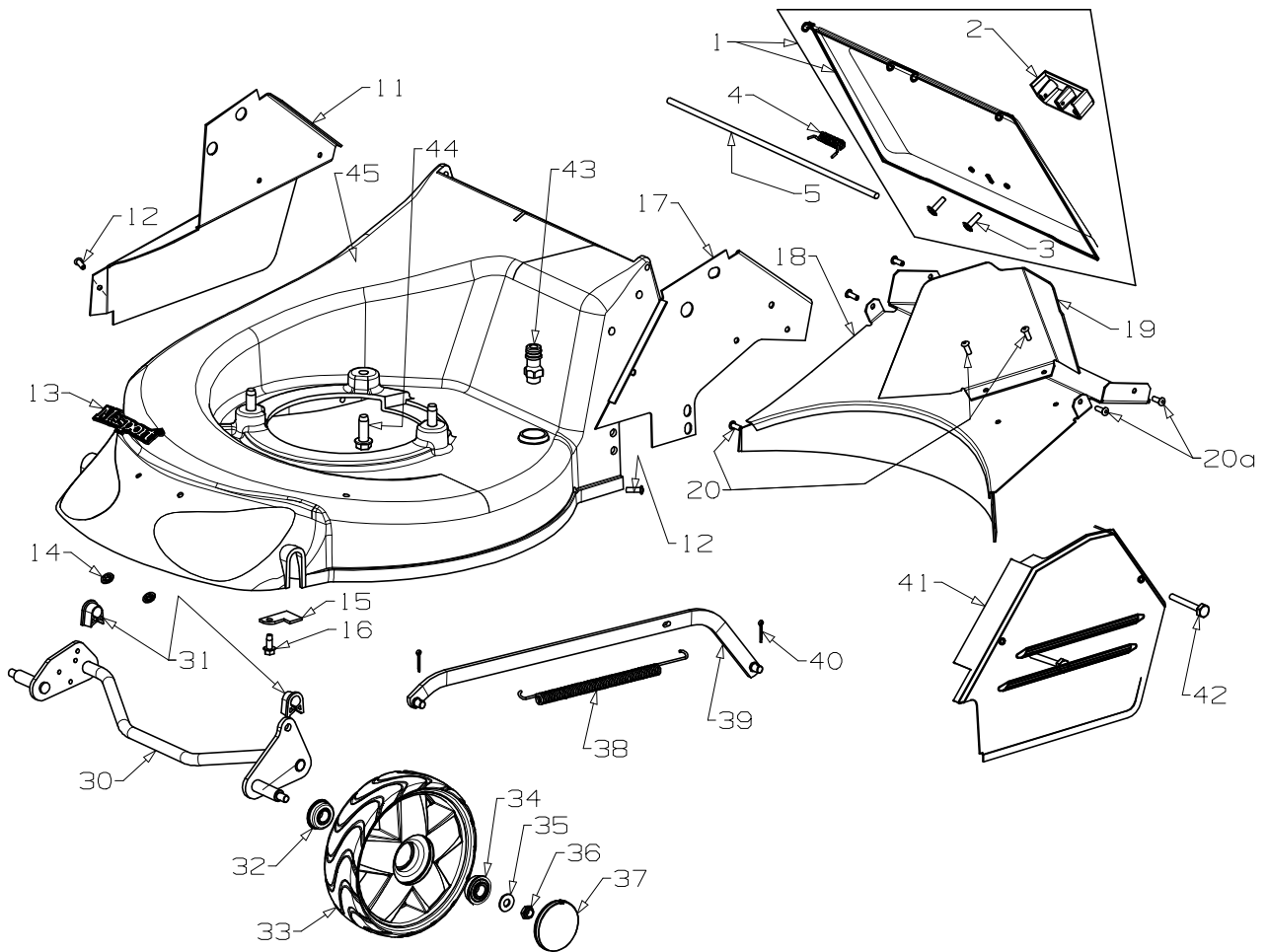
Bold Text = Assemblies, Bulleted Text * = Items included in the Assemblies & may not be available as a spares item.



Rotarola AL Push
Powered by:
B&S Ser 675EXi

Masport

Issue A.0
ECN 03087
May 2016 PB
REF # 757949S



Item No	Part No	Description	Qty	Item No	Part No	Description	Qty
1	781477	Flap Assy- Stl, Fixed Handle Blk	1	33	579196	Wheel Assy-175mm Spkd Slv	2
2	580602	*Handle- Flap	1			(Includes 2 x 551212 per wheel)	
3	503650	*Screw; S/Tapping #12x11/16"	2	34	551212	Bearing- Wheel, Ball Type	2
4	564275	Spring- Flap, STL 18"/20"	1	35	501606	Washer, Flt 8x19x1.6	2
5	580007	Wire- Flap, Pivot 6 x 347	1	36	503831	Nut, M8 Hex Nyloc 6 Thck	2
11	957311	Cover- Side, RH TTNM	1	37	579198	Hub Cap, Button Spkd Slv	2
12	503399	Rivet- Pop 4.8 x 12.7 73SS 6-8	2	38	957251	Rod Assy, Connecting R/R 7"	1
13	567406	Nameplate, Masport B/W	1	39	581463	Spring, Counter Balance RR	1
14	503150	Clip- Starlock, 5 Dia	2	40	501056	Pin, Cotter 2.3d x 16	2
15	980564	Plate- Retainer, Front Axle	2	41	579558	Cover- Side, LH Push TTNM	1
16	501599	Screw, S/T 1/4x5/8 Hex	2	42	580160	Screw, Set M6 x 50	2
17	557274	Back Plate- Inside, LH	1	43	503783	Cyclowash- Fitting	1
18	957270	Ramp Assy, Grass	1	44	580453	Screw, S/T 3/8x1-1/8 UNC TRIBLK	3
19	957273	Cover- Chute, Grass	1	45	779549	Hsg Assy- Ali 18" RR TTNM	1
20	503204	Rivet- Pop 4.8 x 16.4 73SS 6-8	3			(Includes item 11)	
20a	503399	Rivet- Pop 4.8 x 12.7 73SS 6-8	4				
30	983247	Axle Assy, Front 175mm Thrd	1				
31	580030	Bush- Pivot, Axle	2				
32	551212	Bearing- Wheel, Ball Type	2				

When ordering PLEASE QUOTE PART NUMBER & Description, NOT Illustration No.
Determine right or left hand side from standing in operating position (standing at handle).

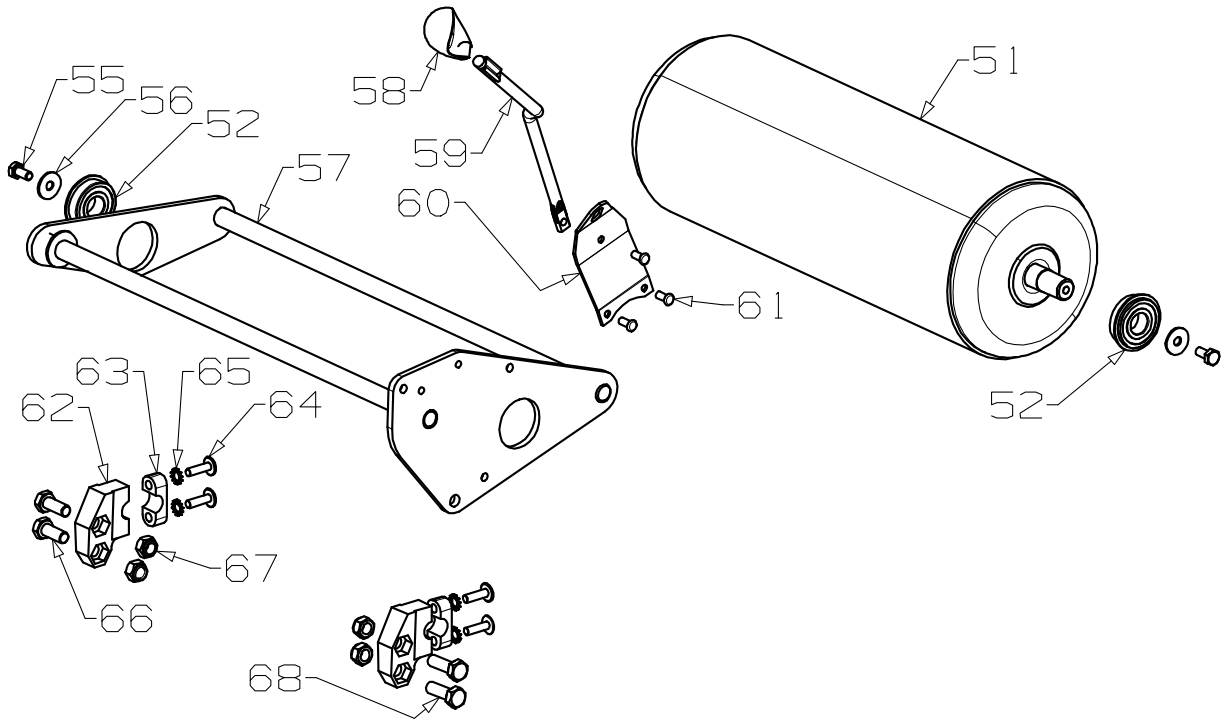
Bold Text = Assemblies, Bulleted Text * = Items included in the Assemblies & may not be available as a spares item.



Rotarola AL Push
 Powered by:
 B&S Ser 675EXi

Masport

Issue A.0
 ECN 03087
 May 2016 PB
 REF # 757949S



Item No	Part No	Description	Qty Req'd
51	957246	Roller Assy, Steel 18" RR Push	1
52	503820	Brg, Ball 15x35x11 6202NR2RS	2
55	501959	Screw, Set M6x12 Hex	2
56	503196	Washer, Flt 1/4x0.75x0.049	2
57	957240	Frame Assy, Rear 18" RR	1
58	581729	Knob- Height Lever MSV	1
59	564355	Rod- Height Selector, R/R	1
60	573849	Spring- Leaf, 2mm	1
61	503373	Rivet- F/HD 3/16"x27/64"	3
62	557055	Bracket- Mounting, Bottom	2
63	557050	Bracket- Mounting, Top	2
64	503650	Screw, S/Tapping #12 x 11/16"	4
65	503639	Washer, Ext Tooth Grip 6 ID	4
66	501598	Screw, Set M8x25 Hex	2
67	501793	Nut, M8 Nylock x 8mm Thick	4
68	501598	Screw, Set M8x25 Hex	2

When ordering PLEASE QUOTE PART NUMBER & Description, NOT Illustration No.
 Determine right or left hand side from standing in operating position (standing at handle).

Bold Text = Assemblies, Bulleted Text * = Items included in the Assemblies & may not be available as a spares item.