

Masport®

EXPORT REEL LAWN MOWER

MASPORT 500

<u>Part Number</u>	<u>Model</u>	<u>Serial Number</u>	<u>Engine</u>
019091	R/MWR 500 PRR	7412516	B&S 3.5 IC

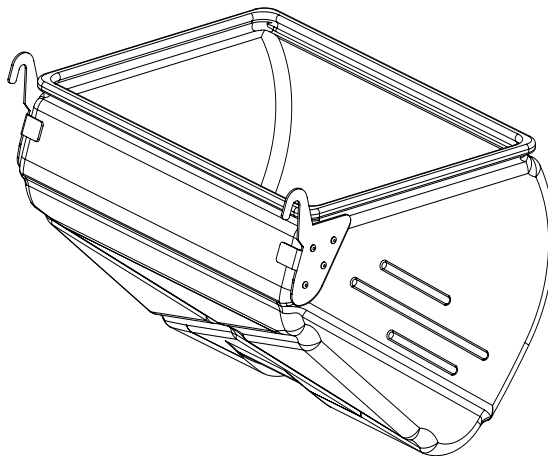
Month and Year of First Manufacture - Nov 2011
Starting Serial Number - 7412516



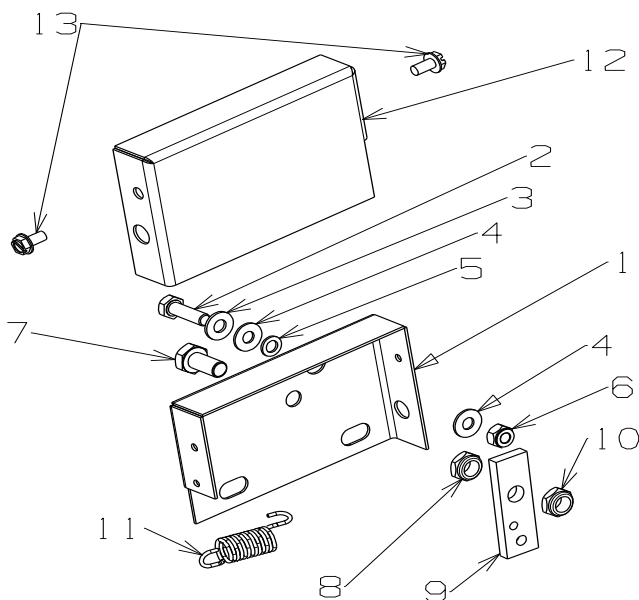
NOT ILLUSTRATED

031891	Decal, Trans Cvr 500
031894	Decal, G/Catcher 500
031888	Decal, Caution S/N & Db 500
031900	Decal, Caution, Feet & Hands
571100	Decal - Power Drive
031992	Owner Manual, Reel Mower

Part No	Description	Qty
731969	Catcher Assy, 500 Plastic Green	1



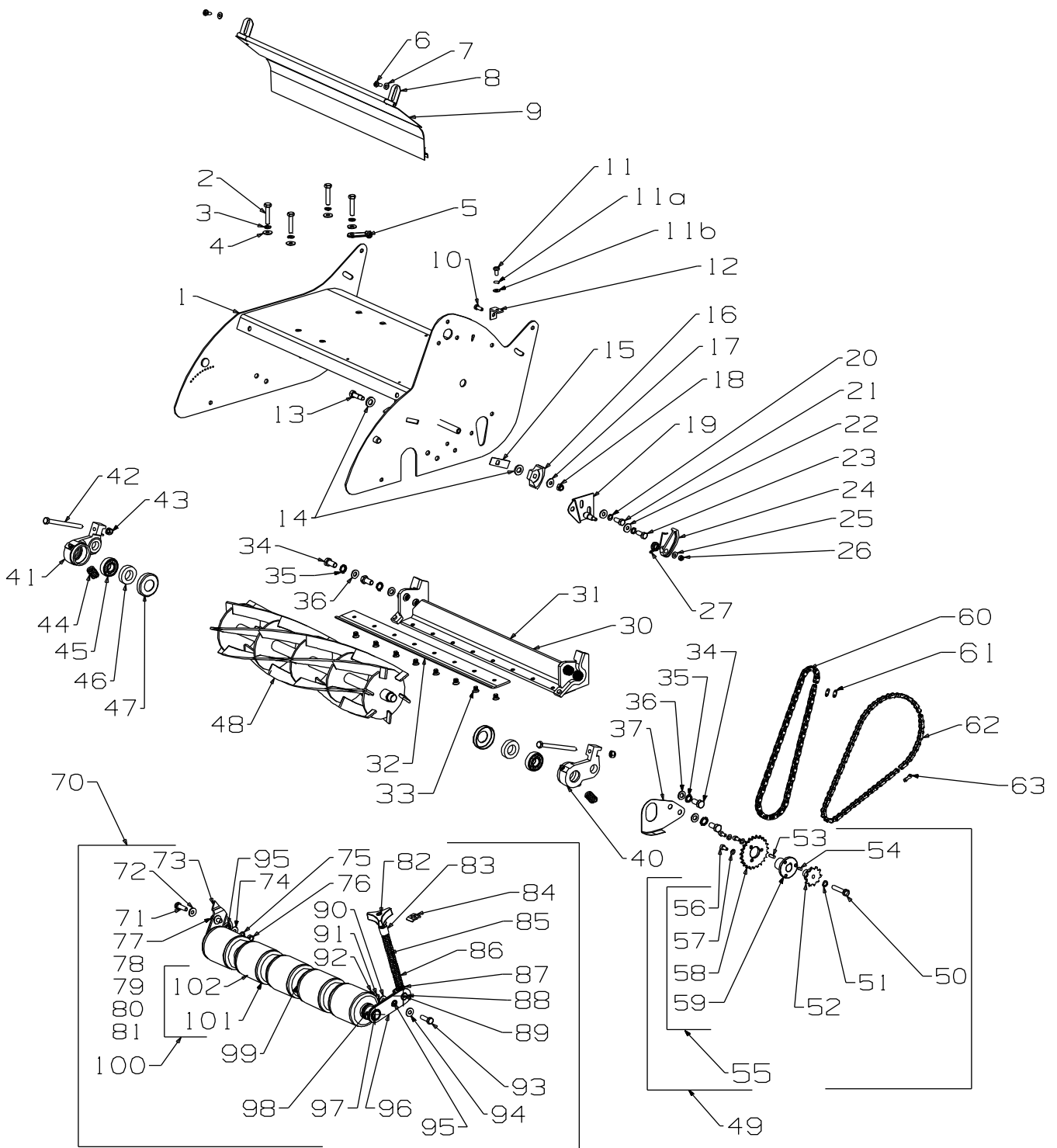
OPC Safety Cut Out Assy



Item No	Part No	Description	Qty
1	031880	Safety Switch Housing	1
2	501600	Screw,Set M6x16 Hex	1
3	501703	Washer,Fit M6x14x1.2	1
4	031883	Washer,Fibre M6x14x1	2
5	031884	Washer,Fibre M6x10x1	1
6	501764	Nut,M6 Nyloc x 6mm Thick	1
7	501594	Screw,Set M8x20 Hex	1
8	503831	Nut,M8 Nyloc x 6mm Thick	1
9	031885	Safety Switch Lever Arm	1
10	503831	Nut,M8 Nyloc x 6mm Thick	1
11	031886	Spring	1
12	031881	Safety Switch Cover	1
13	580540	Screw,S/TM5x10 POZ	2

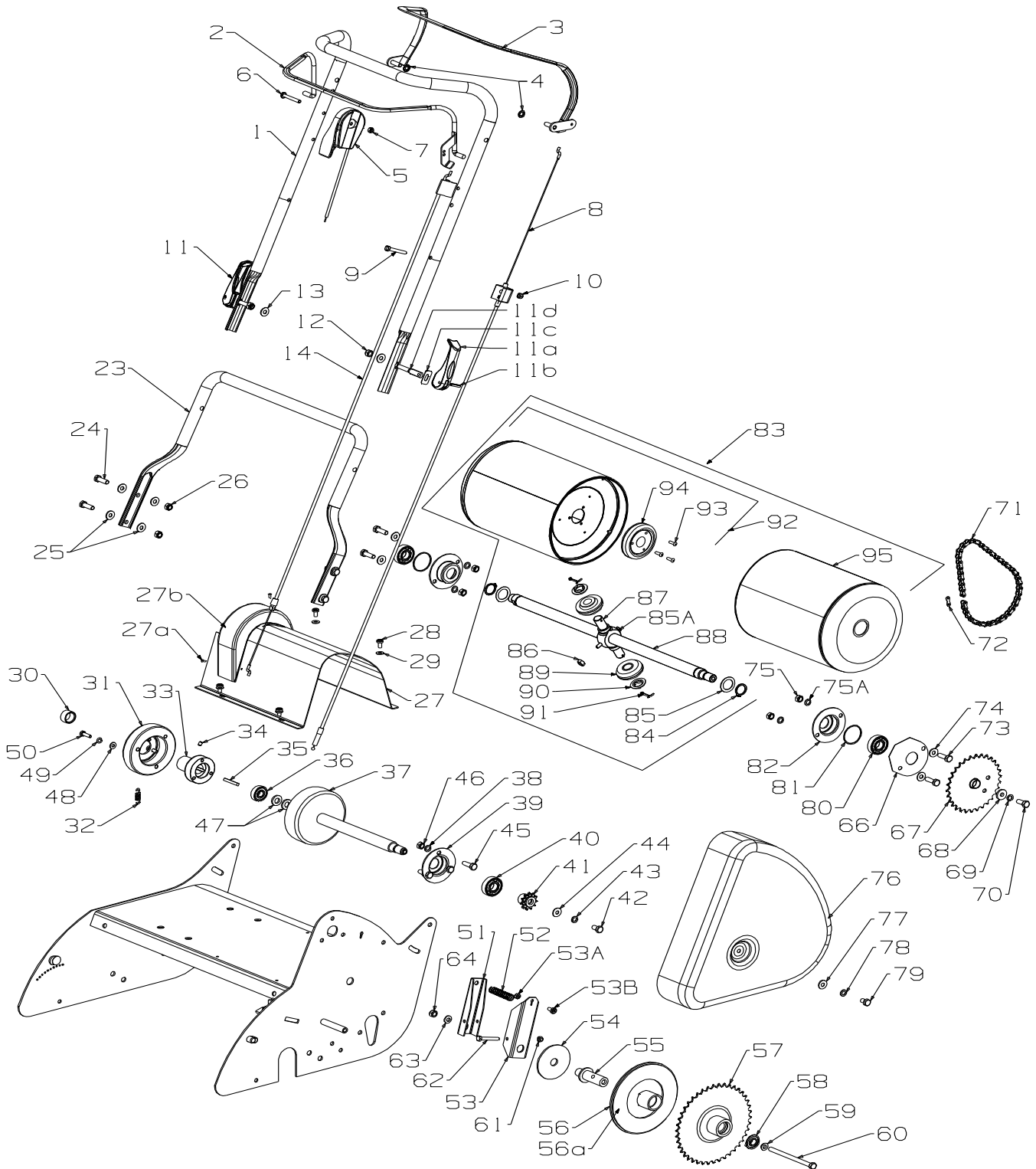
NOT ILLUSTRATED

031906	Safety Switch Loom B&S	1
(Fit spade onto item 2 prior to assembly)		



Item No	Part No	Description	Qty	Item No	Part No	Description	Qty
1	031590	Chassis Assy- 500 Green	1	8	002589	Bracket, Grass Chute	2
2	501843	Screw, Set M8x40 Hex	4	9	008901	Deflector, Grass- 500	1
3	503747	Washer, Spg 8	4	10	501702	Screw, Set M6x16 Hex	1
4	501606	Washer, Flt 8x19x1.6	4	11	503591	Screw, Pan M6x12	1
5	581527	Retainer, Clutch Cable	1	11a	500201	Washer, Spg 6	1
6	503591	Screw, Pan M6x12	2	11b	501703	Washer, Flt 6x14x1.2	1
7	501703	Washer, Flt 6x14x1.2	2	12	031915	Bracket- Chain Cover	1

Item No	Part No	Description	Qty	Item No	Part No	Description	Qty
13	002848	Bolt- Adjuster, Chain	1	55	*032045	Sprocket Assy - 23 Key	1
14	006028	Washer, Flt 12x22x3.0	2			(incl items 56,57,58 and 59)	
15	002845	Sealplate- Chain Adjuster	1	56	*502004	Screw,Cap M6x12	3
16	002844	Adjuster- Chain, Fixed Nylon	1	57	*500201	Washer, Spg 6	3
17	501606	Washer, Flt 8x19x1.6	1	58	*032003	Sproket 23T	1
18	501793	Nut, M8 Hex Nyloc 8 Thck	1	59	*032001	Boss Sprocket Key	1
19	004942	Plate Assy, Mounting	1			==	
20	503747	Washer Spg 8	2	60	002835	Chain, 0.23xP 3/8, 75P	1
21	502106	Screw, Set M 8X 16 Hex	1	61	*731972	Link, Chain 3/8	1
22	501606	Washer, Flt 8x19x1.6	2	62	004299	Chain, 0.205xP 1/2, 59P	1
23	501597	Screw, Set M8x20 Hex	1	63	*731971	Link, Chain 1/2	1
24	004963	Adjuster- Chain, Tension Nylon	1			==	
25	501703	Washer, Flt 6x14x1.2	1	70	005014	Spindle & Brkt Assy 500	1
26	501764	Nut, M6 Hex Nyloc 6 Thck	1	71	*501598	Screw, Set M8x25 Hex	1
27	004945	Spring	1	72	*501606	Washer, Flt 8 x 19 x 1.6	1
				73	*004983	Bracket- Front Roller, RH	1
30	009855	Backplate Brkt, Blade Assy 500 (incl items,31,32,33)	1	74	*501606	Washer, Flt 8x19x1.6	1
31	*009862	Bracket Assy Backplate 500	1	75	*503747	Washer, Spg 8	1
32	*009873	Blade, Baseplate 500	1	76	*501602	Nut, M8 Hex	1
33	*008611	Screw, CSK M8x10 Allen Head	8	77	*501597	Screw, Set M8x20 Hex	1
				78	*501606	Washer, Flt 8x19x1.6	1
				79	*501606	Washer, Flt 8x19x1.6	1
34	501760	Screw, Set M10x20 Hex	4	80	*503747	Washer, Spg 8	1
35	503897	Washer, Spg 10	4	81	*501602	Nut, M8 Hex	1
36	501704	Washer, Flt 10x19x1.6	4	82	*574230	Knob- Plastic, M8 Insert	1
37	002561	Plate- Seal, Chaincase	1	83	*031910	Spacer- Knob	1
40	032023	Housing- Assy Bearing, LH	1	84	*004973	Plate Slipper	1
41	032024	Housing- Assy Bearing, RH	1	85	*004988	Spindle- Adj, Front Roller	1
42	006282	Bolt, Set NF 5/16"x4" Hex	2	86	*004691	Spring- Height Adjust	1
43	007240	Nut, NF 5/16 Hex Nyloc Type "P"	2	87	*501606	Washer, Flt 8x19x1.6	1
44	002581	Spring- Baseplate	2	88	*004990	Spindle, Trunnion	1
45	503273	Bearing, Ball 17x40x12 6203 2S	2	89	*032087	Pin, Tension 3.0 x 16	1
46	002583	Seal- Felt	2	90	*501606	Washer, Flt 8x19x1.6	1
47	005211	Cover- Dust, Cylinder Bearing	2	91	*503747	Washer, Spg 8	1
48	032014	Cylinder & Assy Cut Key 500	1	92	*501602	Nut, M8 Hex	1
49	032006	Sprocket Assy - 10/23 Key (Includes Items 50,51,52,53,54 and 55)	1	93	*501598	Screw, Set M8x25 Hex	1
50	*501843	Screw Set M8 x 40	1	94	*501606	Washer, Flt 8x19x1.6	1
51	*503747	Washer Spg 8	1	95	*004991	Bush- Pivot, Front Roller	2
52	*032002	Sproket 10T	1	96	*004984	Bracket Assy- Adj, Front Roller	1
53	*032004	Key 5x5x10	1	97	*004977	Spindle Assy Front 500	1
54	*032005	Key 5x5x16	1	98	*007496	Pin, Tension 6.0 x 30	1
				99	*501432	Washer, Flt 20x33x4.0	10
				100	031911	Roller Front Assy (1)	5
				101	*005478	Cap-End 72.3	2
				102	*005476	Shell-Front Roller 400/500	1



Item No	Part No	Description	Qty	Item No	Part No	Description	Qty
1	773155	Handle Upper R/MWR	1	5	583458	Control- Throttle,Hsng Wscn	1
2	981740	Bail Arm Assy, OPC	1	6	503604	Screw, Pan M6x45	1
3	982161	Bail Arm Assy, SP	1	7	501764	Nut, M6 Nylocx 6 Thck	1
4	501365	Clip Starloc 5/16"	2	8	031990	Cable-Clutch, Thumb Wheel	1
				9	503558	Screw, Set M6x45	1
				10	501764	Nut, M6 Nyloc	1

Item No	Part No	Description	Qty	Item No	Part No	Description	Qty
11	980456	Lever Handle Locking (1)	2	55	031840	Post- Clutch	1
11a	*580313	Lever Handle Locking	1	56	031986	Sprocket- Clutch Plate Assy	1
11b	*503369	Pin, Tension 5.0 x25	1	56a	*031987	Liner- Clutch Face Cork	1
11c	*016777	Washer Slipper	1	57	031963	Sprocket- 42T, Plate & Boss Assy	1
11d	*580690	Stud Handle Lock 64mm	1	58	503901	Bearing, Ball 12x28x8 6001 2RSH	1
12	*501793	Nut M8 Hex Nylocx Thck	1	59	031965	Washer- Centralizing Brass	1
13	501606	Washer, Flat 8x19x1.6	2	60	503938	Bolt, M8x120 Hex	1
14	031878	Cable-Engine,OPC	1	61	501764	Nut, M6 Nyloc 6 Thck	1
23	031849	Handle- Lower, 500	1	62	580160	Screw, Set M6x50 Hex	1
24	501597	Screw, Set M8x20	4	63	031842	Washer, Thrust	1
25	501606	Washer, Flat 8x19x1.6	8	64	501793	Nut, M8 Hex Nyloc 8 Thck	1
26	501793	Nut, M8 Nylocx 8 Thck	4	66	002618	Plate- Seal, Bearing	1
27	031909	Cover-Trans,500/660 Green	1	67	002604	Sprocket & Boss Assy, Rear Roller	1
27a	*503429	Rivet Pop 3.2 x4.8 73 AS4-3	4	68	503872	Washer, Flt 8x20x3.0	1
27b	*031907	Cover-Trans,Moulded-Green	1	69	503747	Washer, Spg 8	1
28	503591	Screw, Set M6x12	4	70	501717	Screw, Set M8x20 1mm Pitch	1
29	501703	Washer, Flt 6x14x1.2	4	71	004929	Chain, 3/16" x 1/2, 40P	1
30	031958	Spacer- Drive Shaft, 13mm	1	72	*731971	Link, Chain 1/2	1
31	031912	Clutch- Drive Assy	1	73	501597	Screw, Set M8x20	4
32	*005634	Clutch Spring	3	74	501606	Washer, Flt 8x19x1.6	4
33	031913	Boss- Clutch, 19 Dia B&S	1	75	501602	Nut, M8 Hex	4
34	501719	Screw, Grb M6x8	2	75a	503747	Washer, Spg 8	4
35	536012	Key- Engine 3/16"SQ x 38	1	76	031585	Cover - Chaincase-Green	1
36	501213	Bearing, Ball 12x32x10 6201 2RS	1	77	501606	Washer, Flt 8x19x1.6	1
37	031587	Drum Assy, Clutch 500/660	1	78	503747	Washer, Spg 8	1
38	503747	Washer, Spg 8	3	79	501863	Screw Set, M8x12	1
39	002834	Housing- Bearing	1	80	503273	Bearing-Ball 17x40x12 6203 2S	2
40	503273	Bearing-Ball 17x40x12 6203 2S	1	81	004292	Ring-Bearing Housing	2
41	002818	Sprocket- 11T, Drive	1	82	000409	Housing-Bearing	2
42	501715	Screw, Set M8x15 1mm Pitch	1	83	031918	Roller-Rear Assy, Complete	1
43	503747	Washer, Spg 8	1	84	*007260	Circlip- 7/8" ext	2
44	501606	Washer, Flt 8x18x1.6	1	85	*002732	Washer-Flt, 22 x 40 x 2	2
45	501597	Screw, Set M8x20 Hex	3	85a	*567292	Bolt-Hex M6 x 55 HT 8.8	1
46	501602	Nut, M8 Hex	3	86	*501764	Nut, M6 Hex Nyloc	1
47	006028	Washer, Flt 12x22x3.0	2	87	*008943	Carrier-Bevel Pinion	1
48	501703	Washer, Flt 6x14x1.2	3	88	*004837	Spindle-Rear Roller 660	1
49	500201	Washer, Spg 6	3	89	*002708	Pinion-Bevel, 14T	2
50	503223	Screw, Set M6x16 HT8.8	3	90	*008944	Collar	2
51	031831	Lever- Clutch	1	91	*007473	Split Pin, 3.0dia x 30	2
52	031845	Spring- Clutch	1	92	031955	Roller-Rear,Half Assy RH	1
53	031830	Lever Carrier- Clutch	1	93	*503399	Rivet-Pop, 4.8 x 13 73 SS 6-8	3
53a	501764	Nut-M6 Nyloc	1	94	*002707	Gear-Bevel, 24t	1
53b	503591	Screw-Pan M6 x 12	1	95	*031919	Roller-Rear,Half Assy LH	1
54	031843	Washer. FLT 16.5x75x3.0	1				